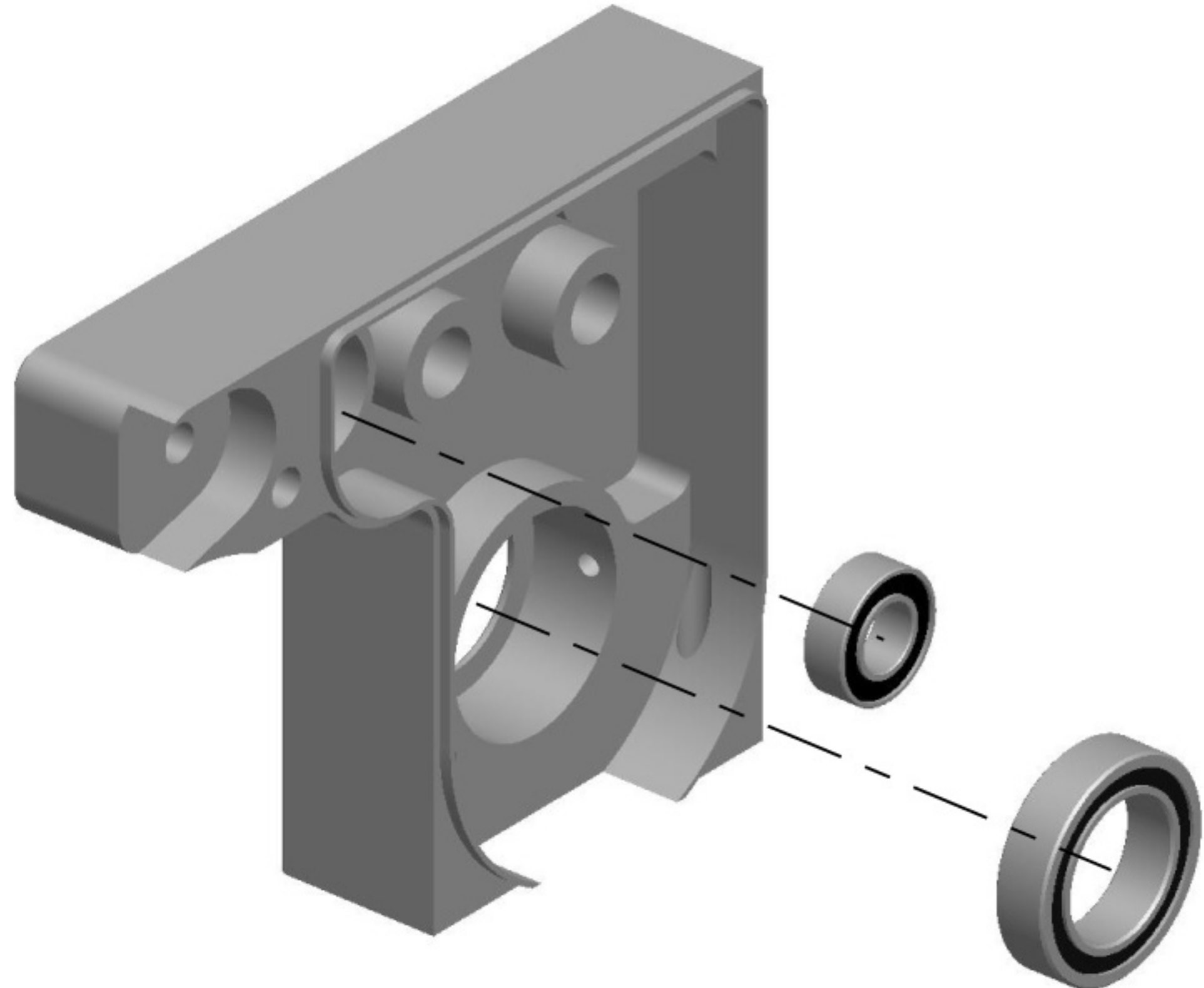
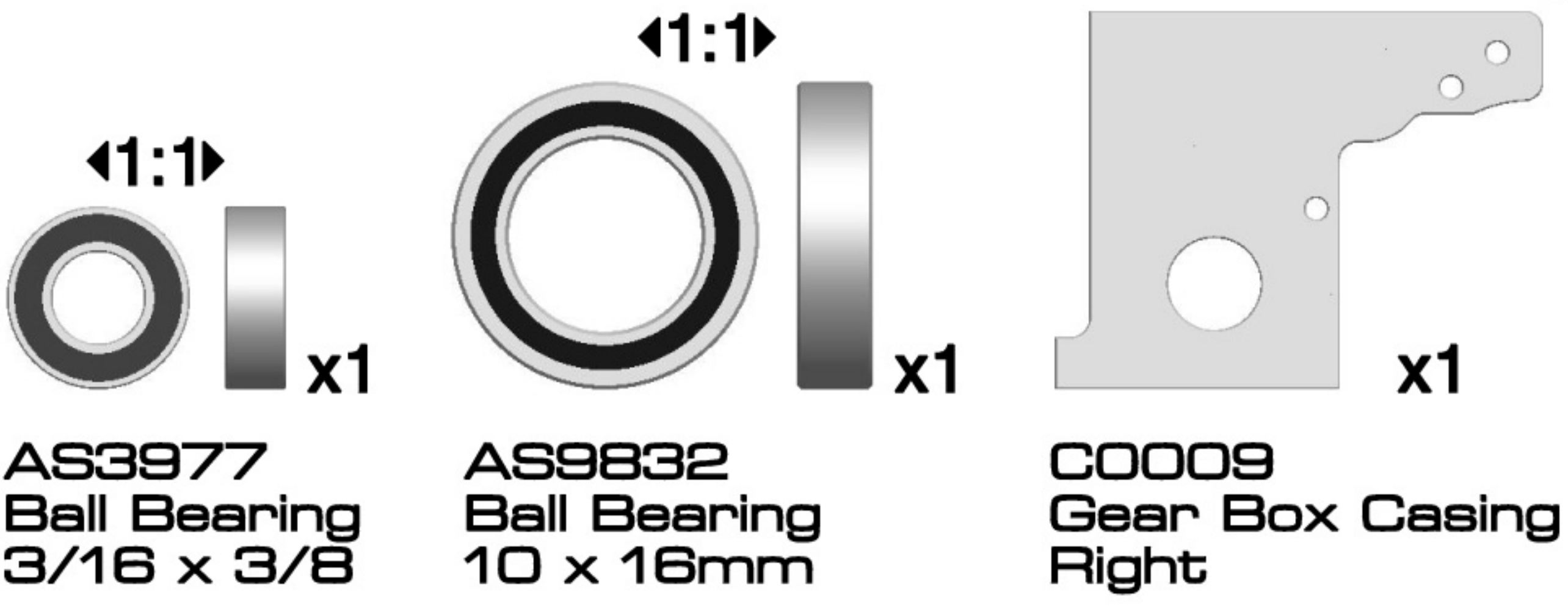
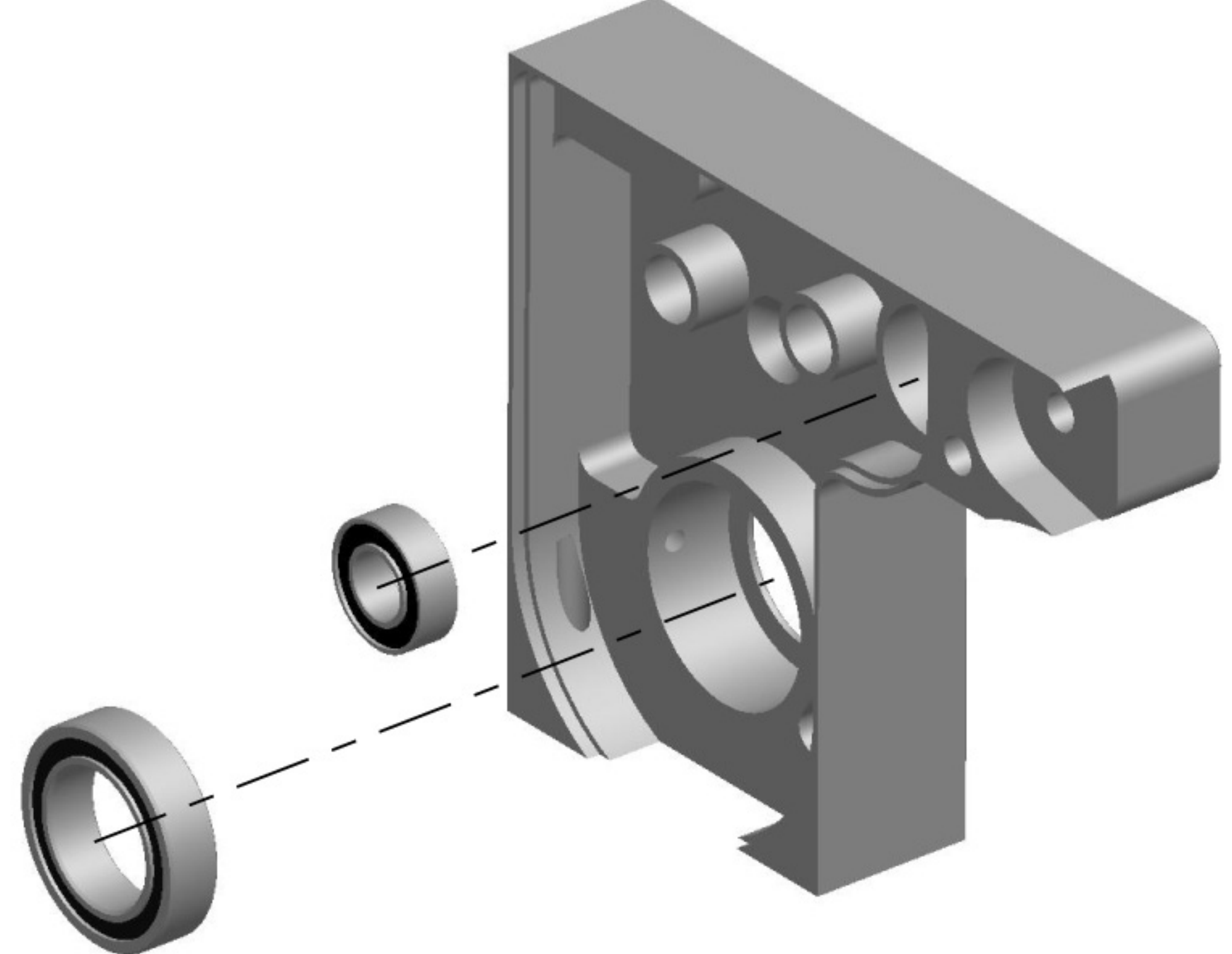
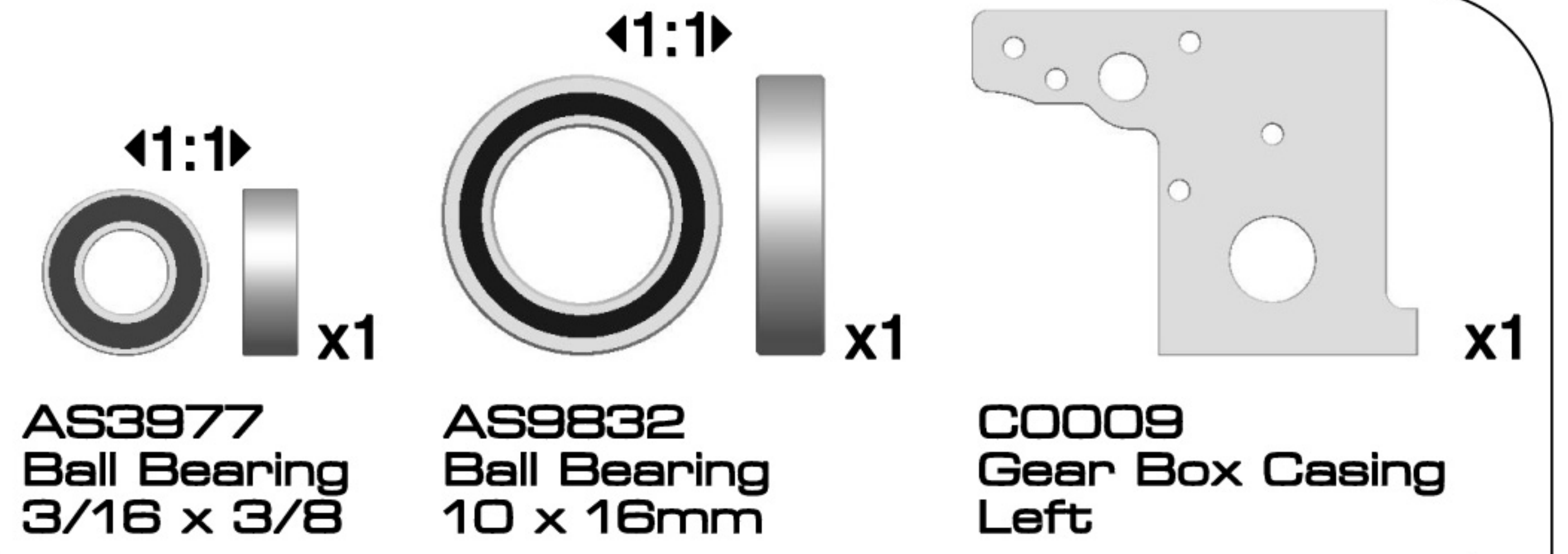
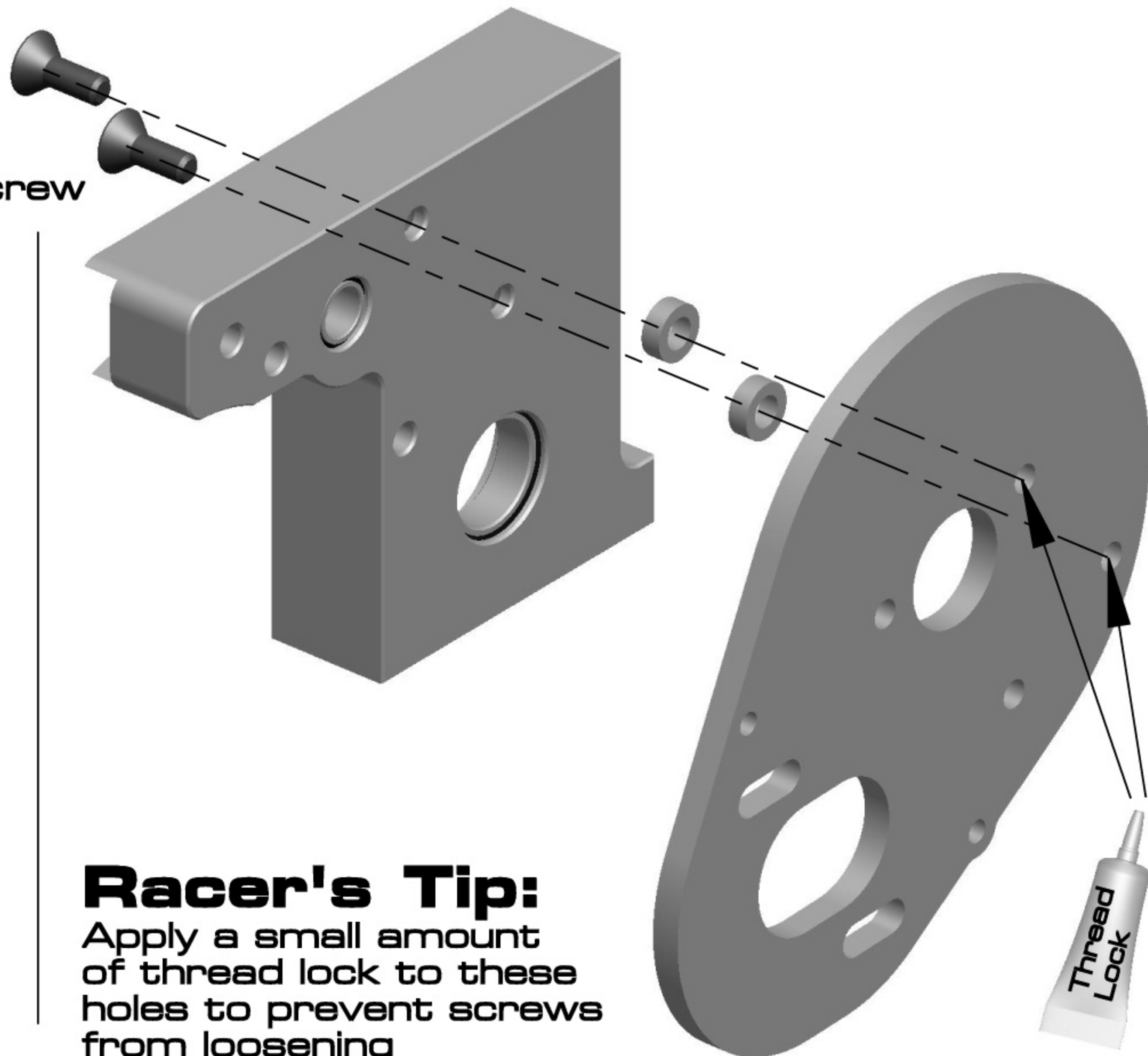
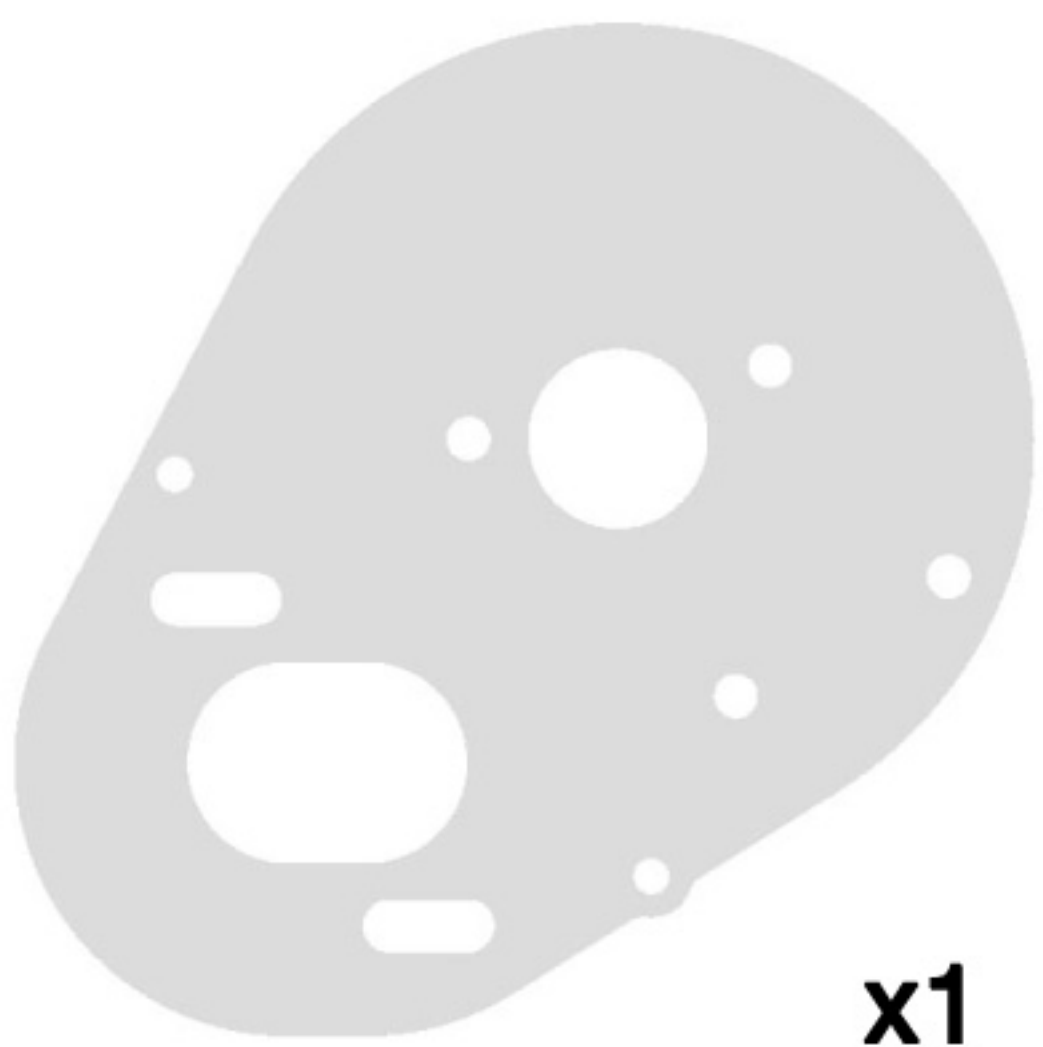
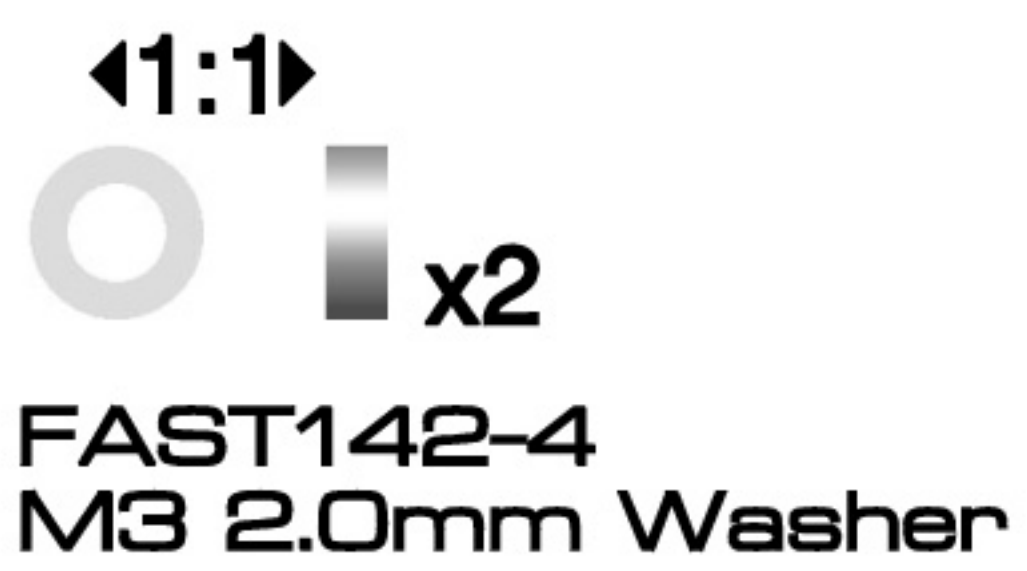
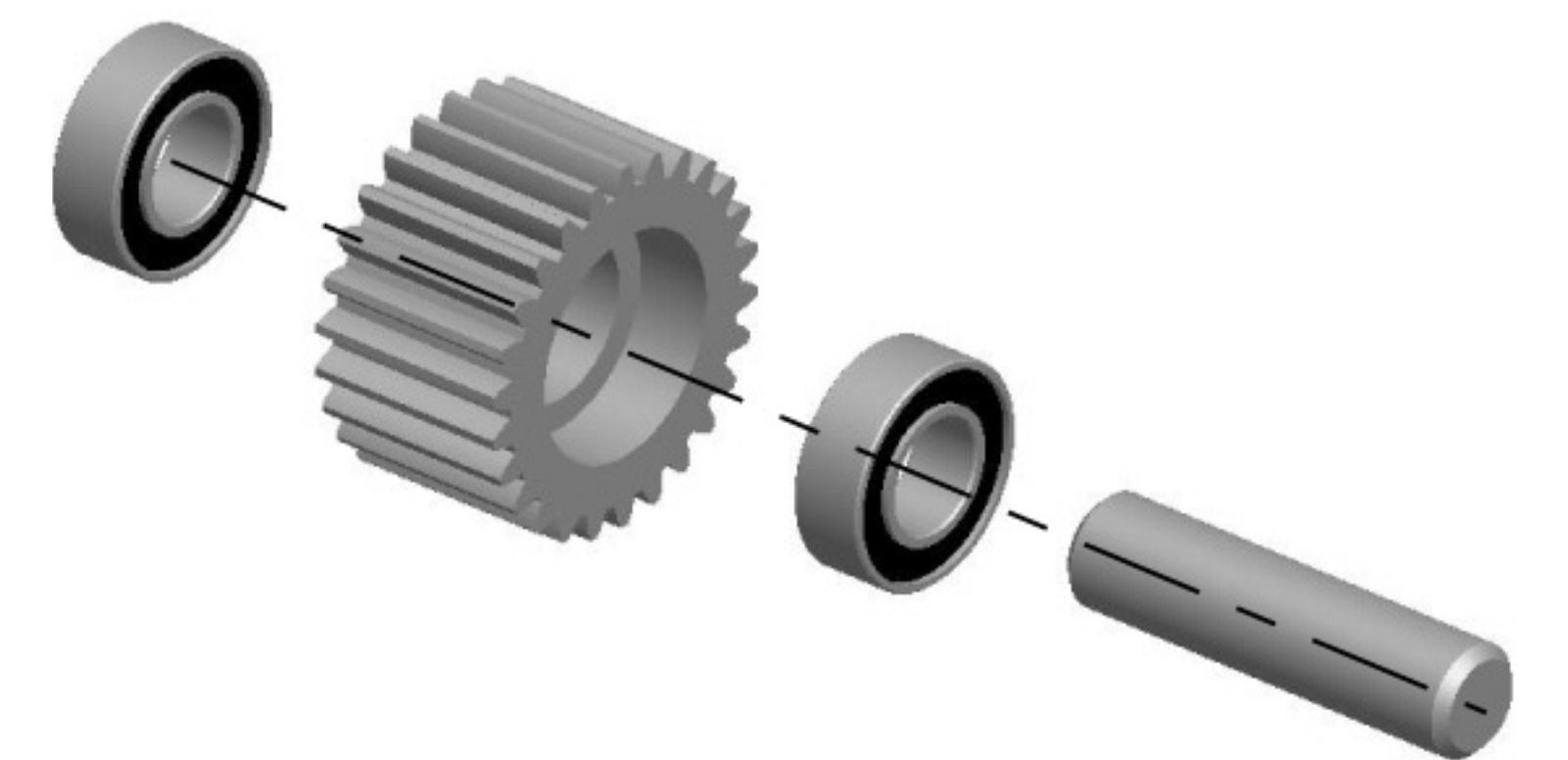
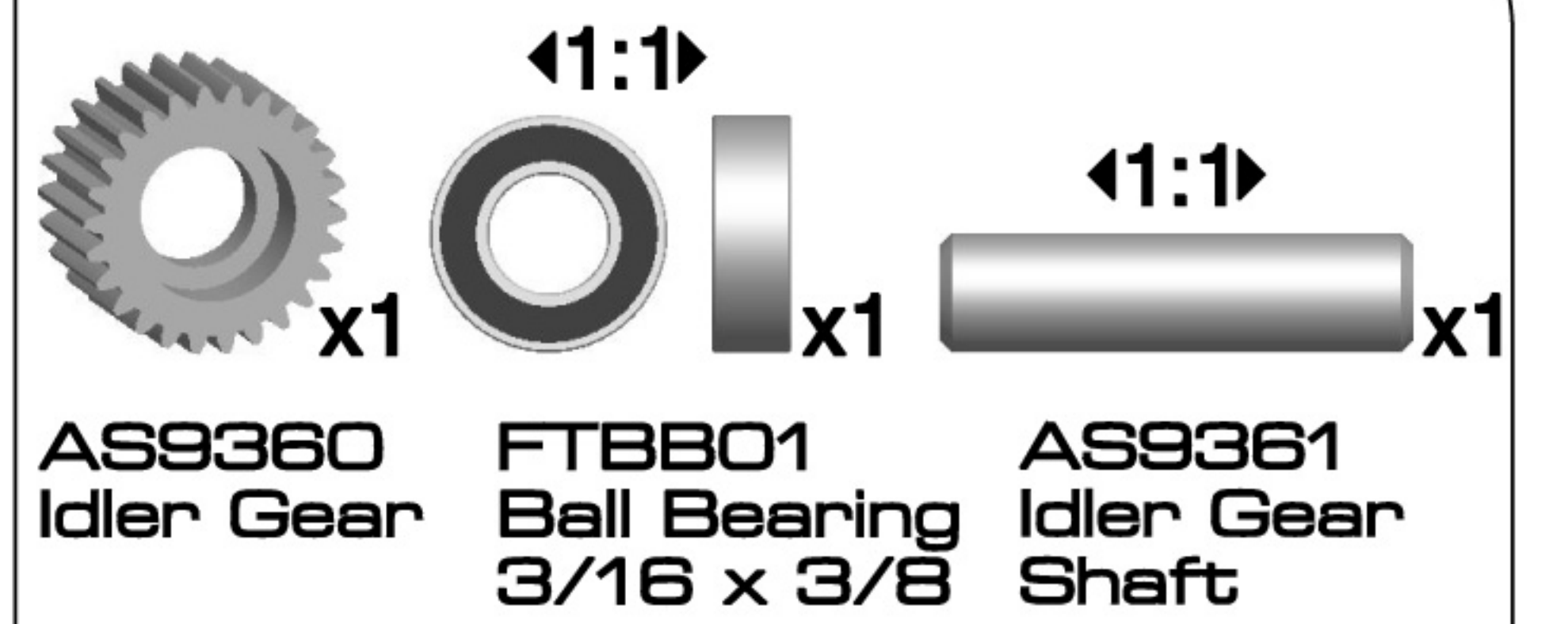
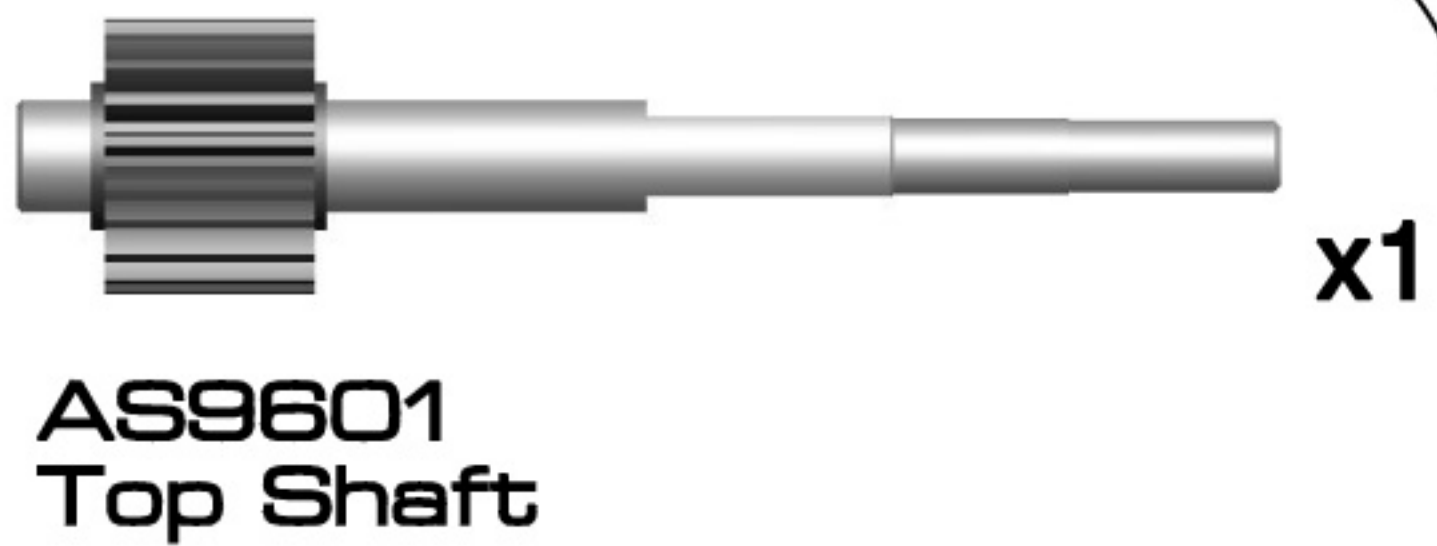
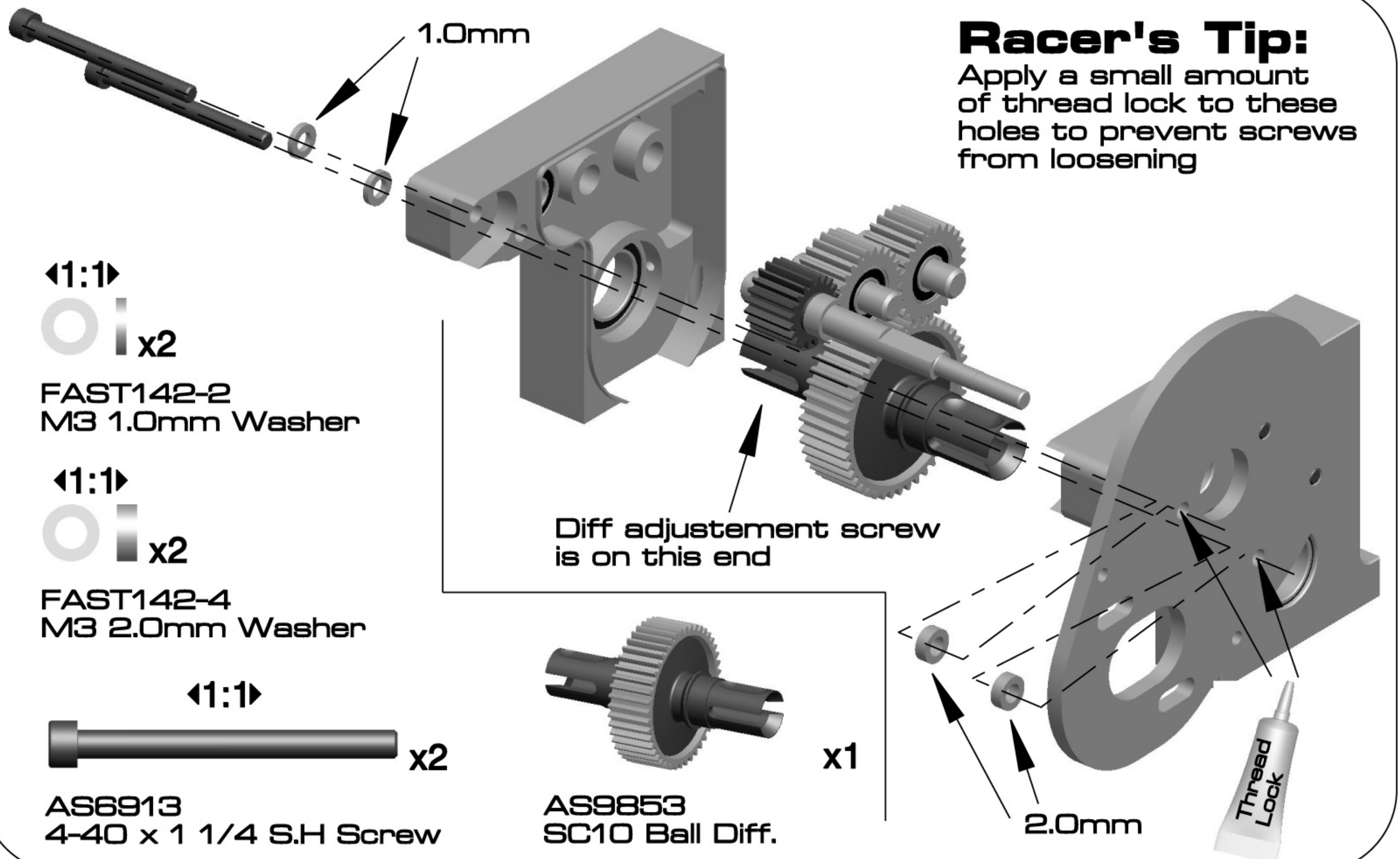
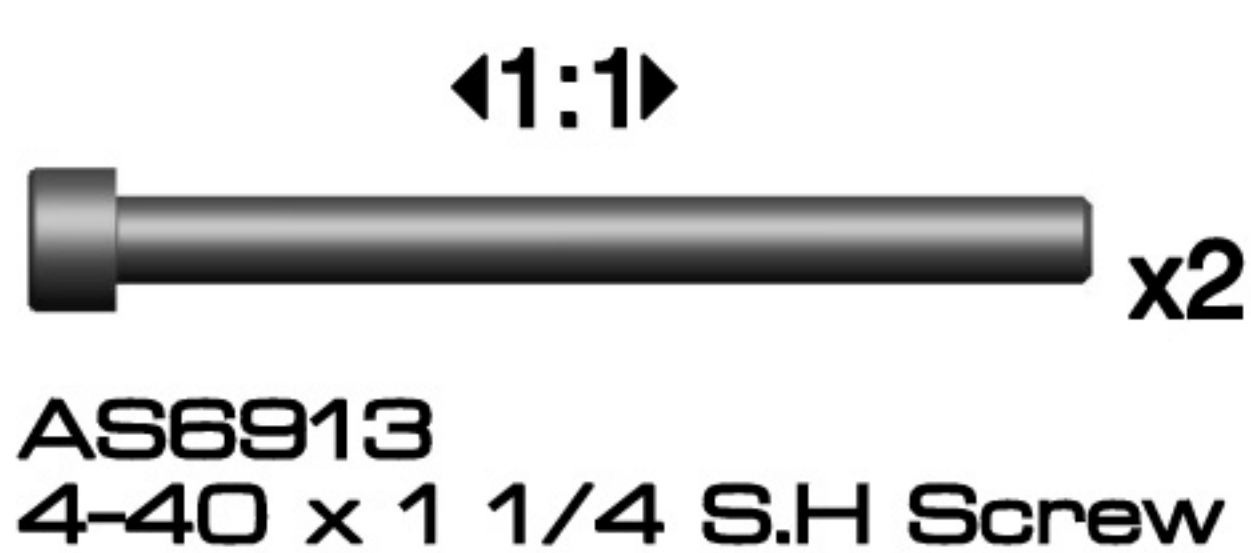
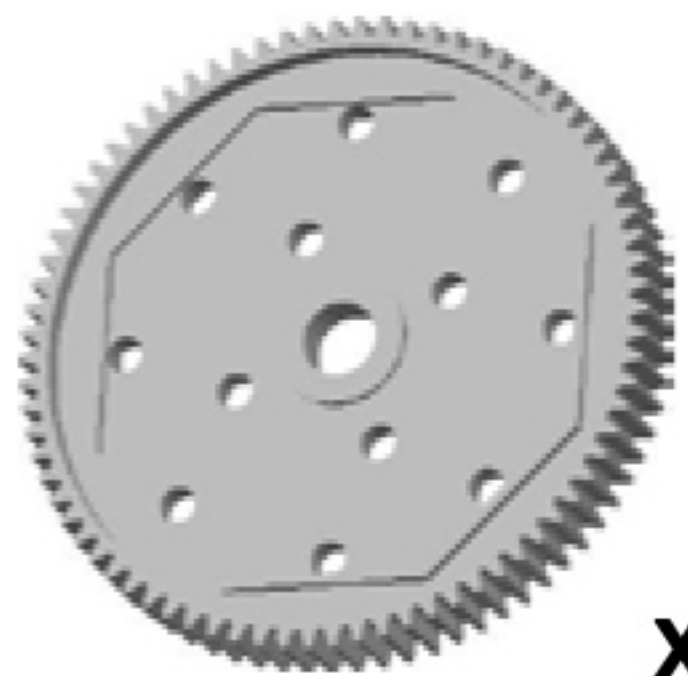


1**2****3****4****x2****5****6**

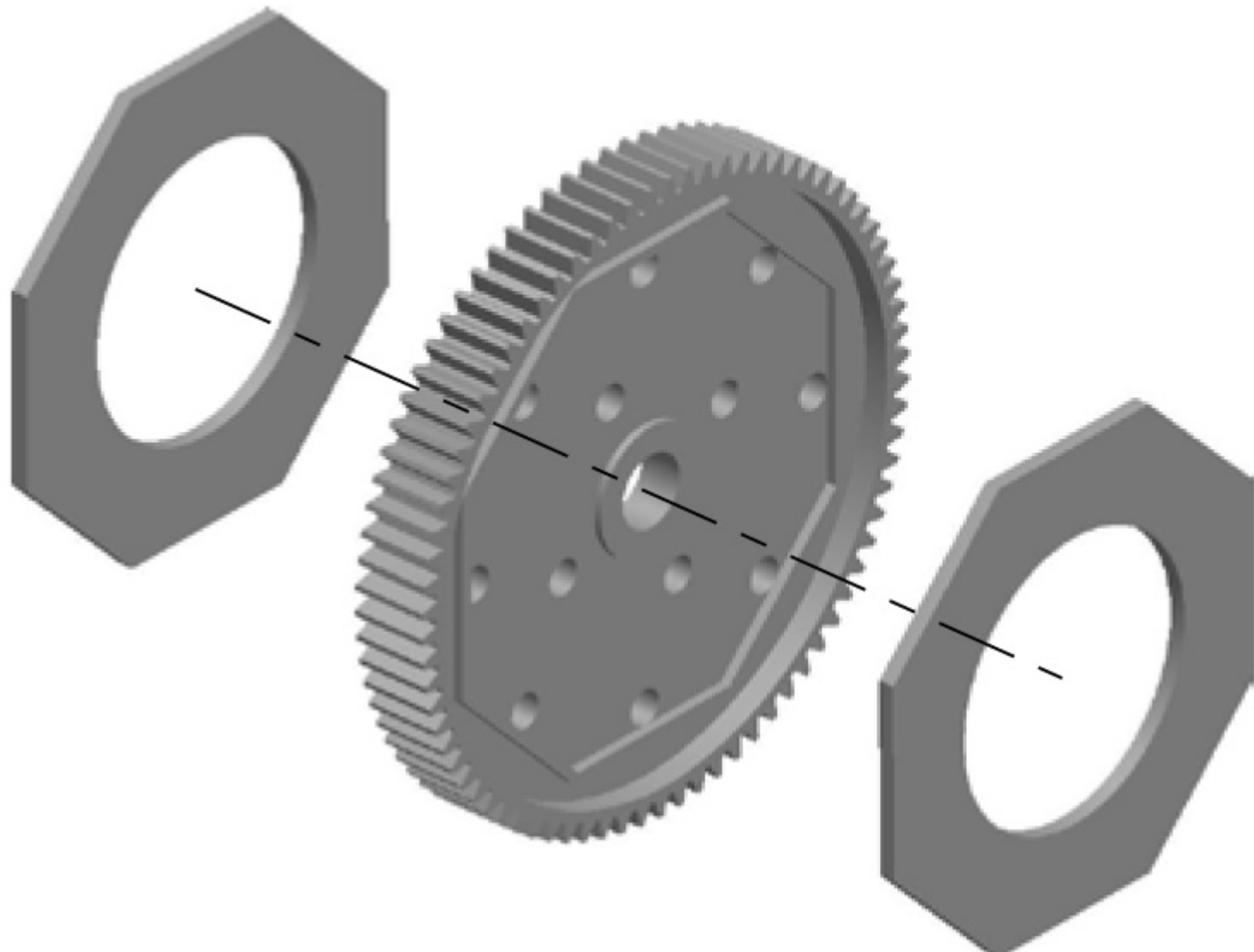
7



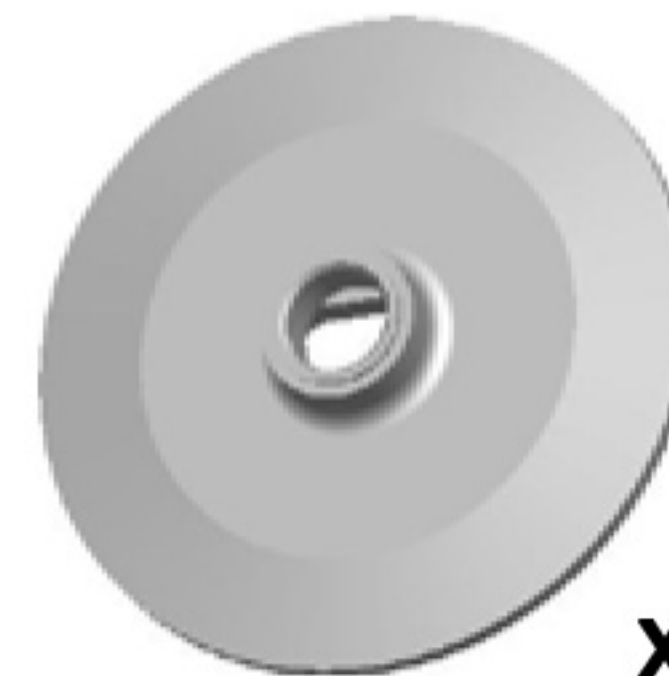
x1

AS9651
Spur Gear, 81T

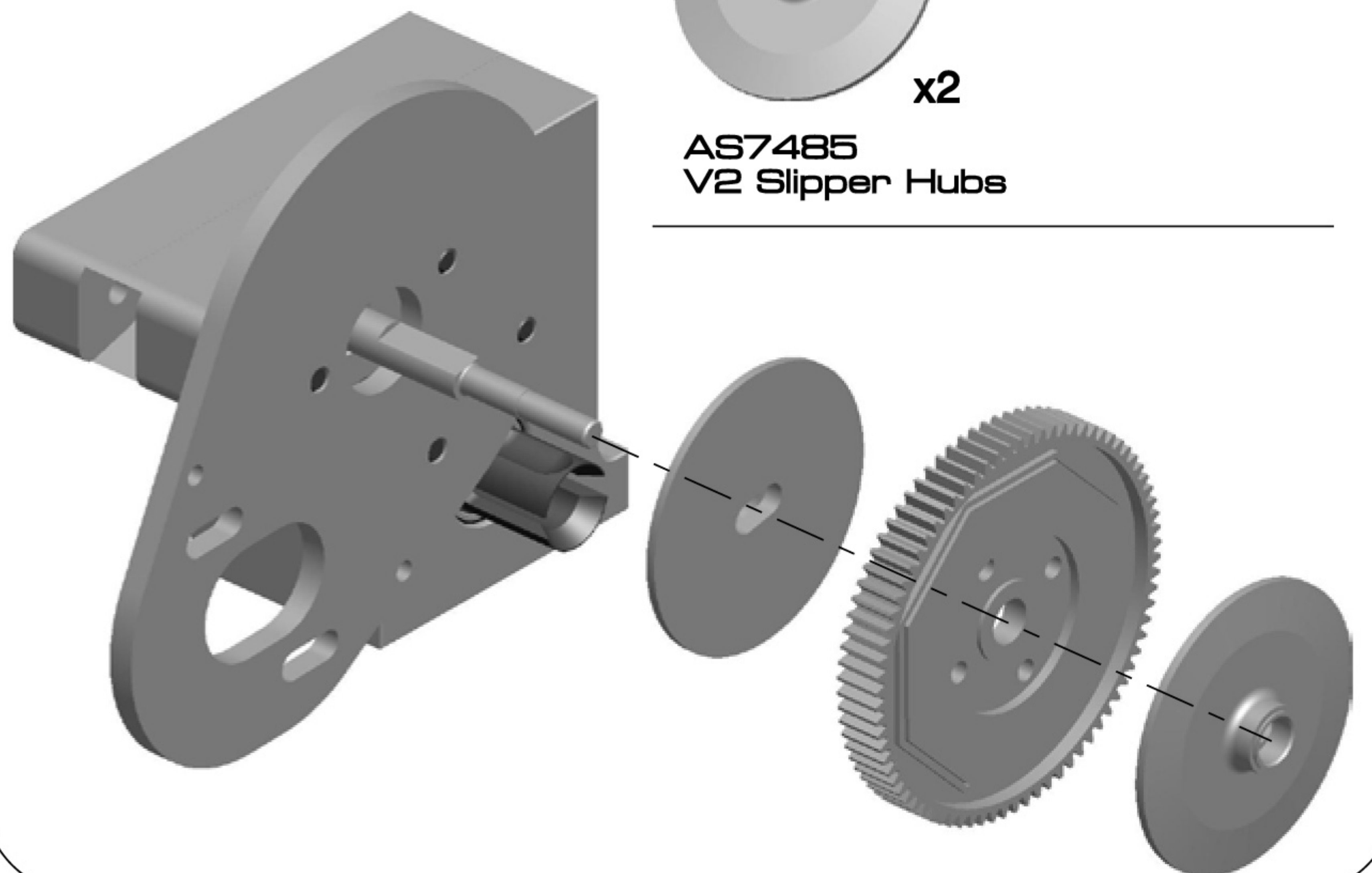
x2

AS9603
Slipper Pad

8



x2

AS7485
V2 Slipper Hubs

9

◀1:1▶



x1

AS7486
V2 Slipper Spring

◀1:1▶



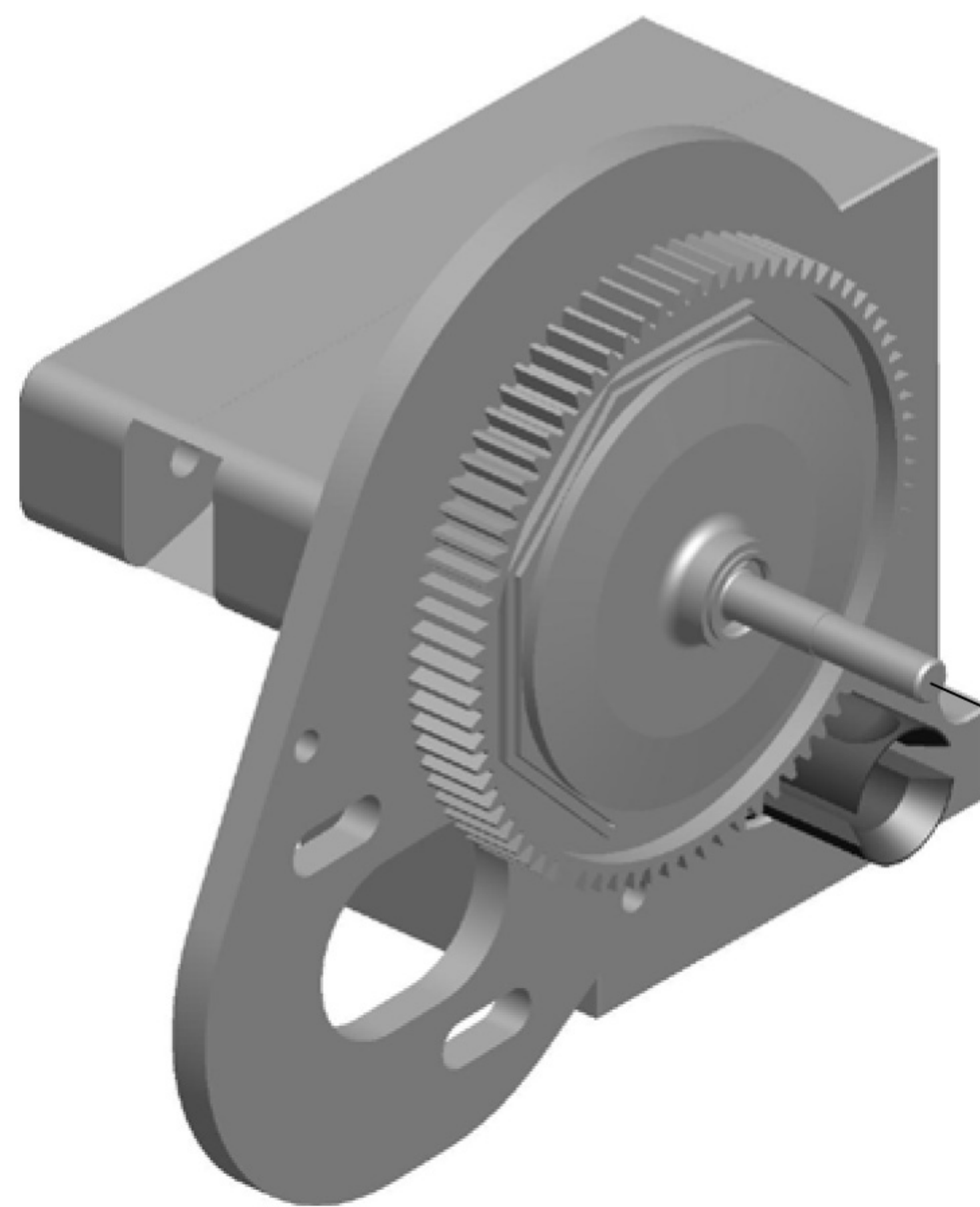
x1

AS7486
V2 Slipper Washer

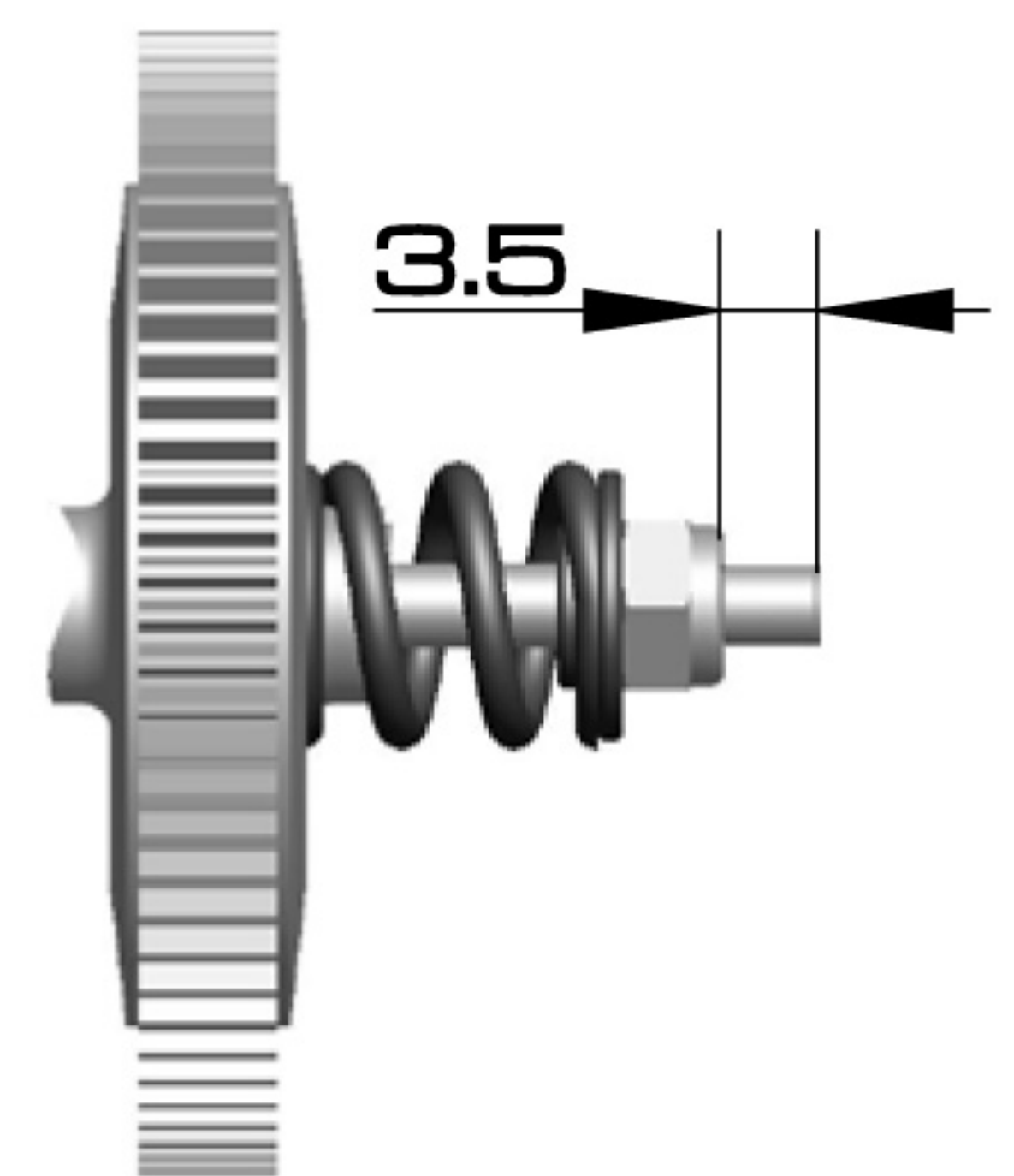
◀1:1▶



x1

AS6629
5-40 Locknut**Racer's Tip:**

Turn the nut on the shaft so that the end of the top shaft is even with the outside of the nut. Tighten the nut until the shaft extends thru the nut by 3.5mm. Recheck after initial run.



10

◀1:1▶



x1

AS89072
Turnbuckle

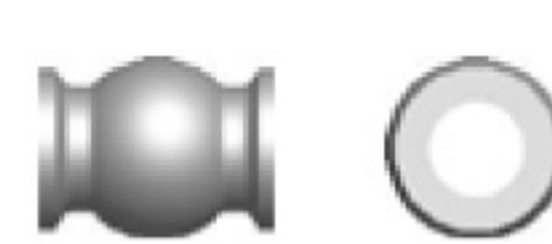
◀1:1▶



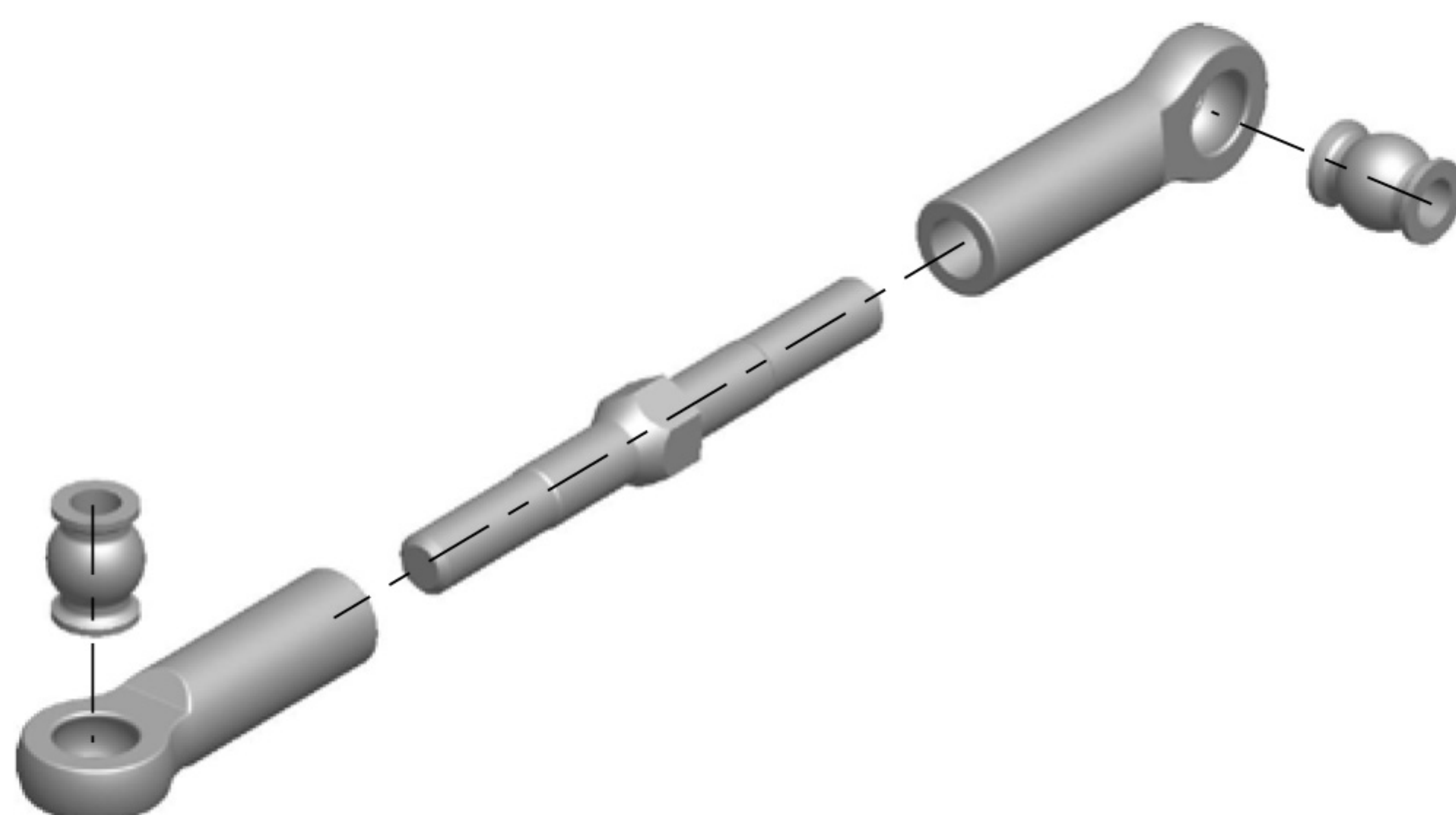
x2

AS25568
Ball Joint

◀1:1▶

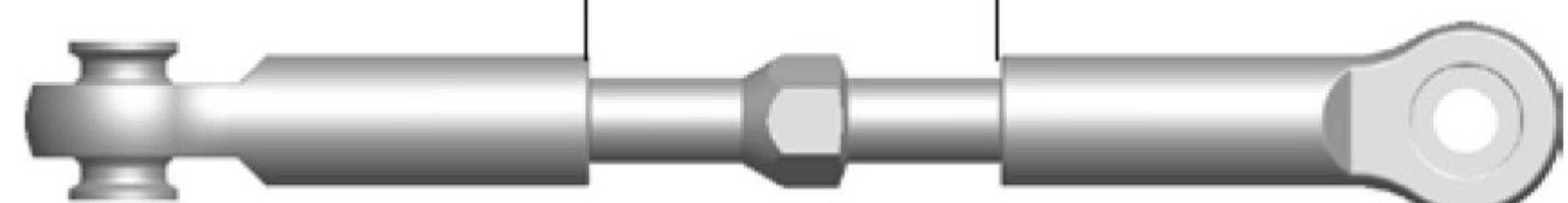


x2

AS25568
Ball

1:1

19.5



11

◀1:1▶



x1

FAST116F
M3 x 14 FHCS
Screw

◀1:1▶



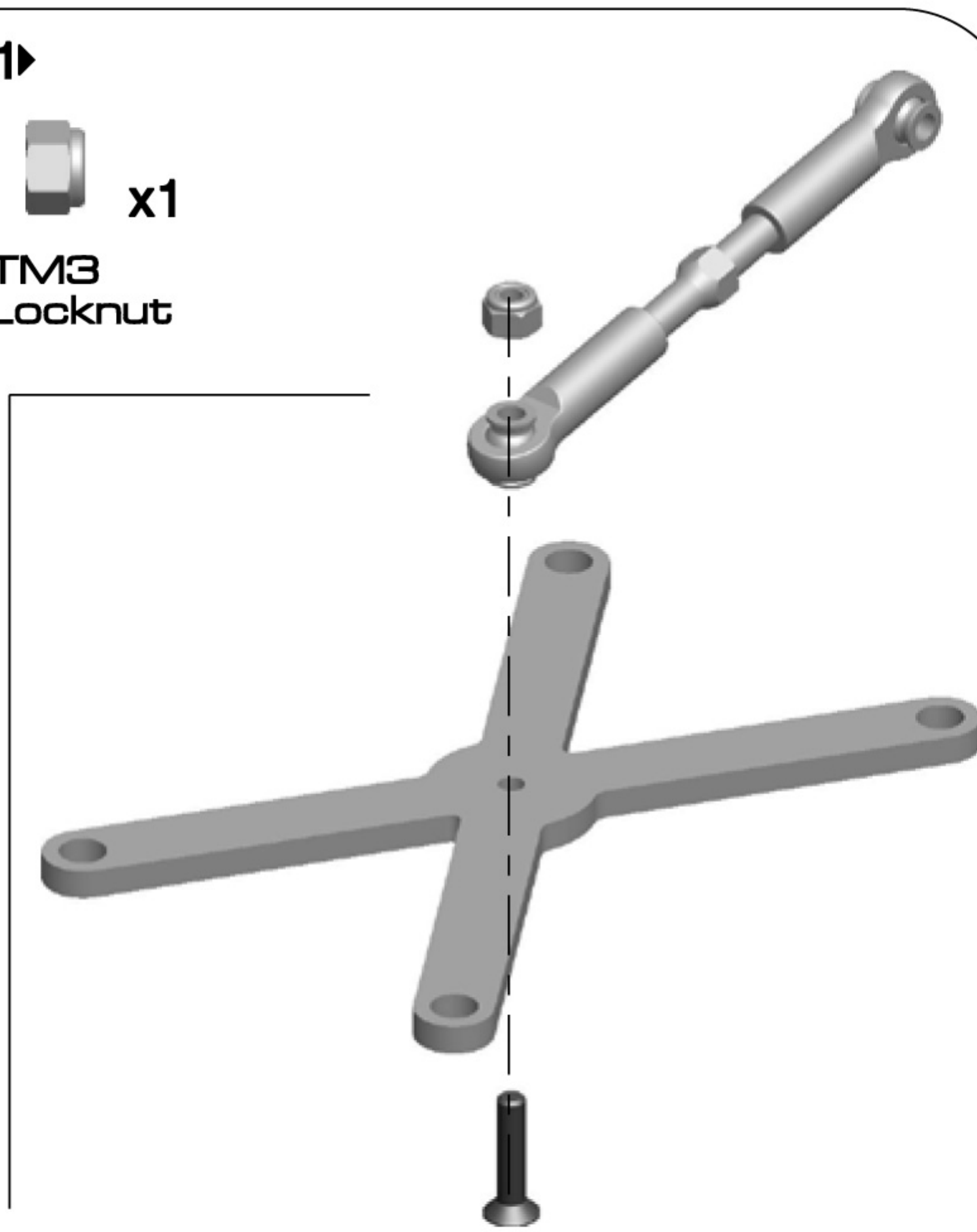
x1

FASTM3
M3 Locknut



x1

C0007
Battery X Brace

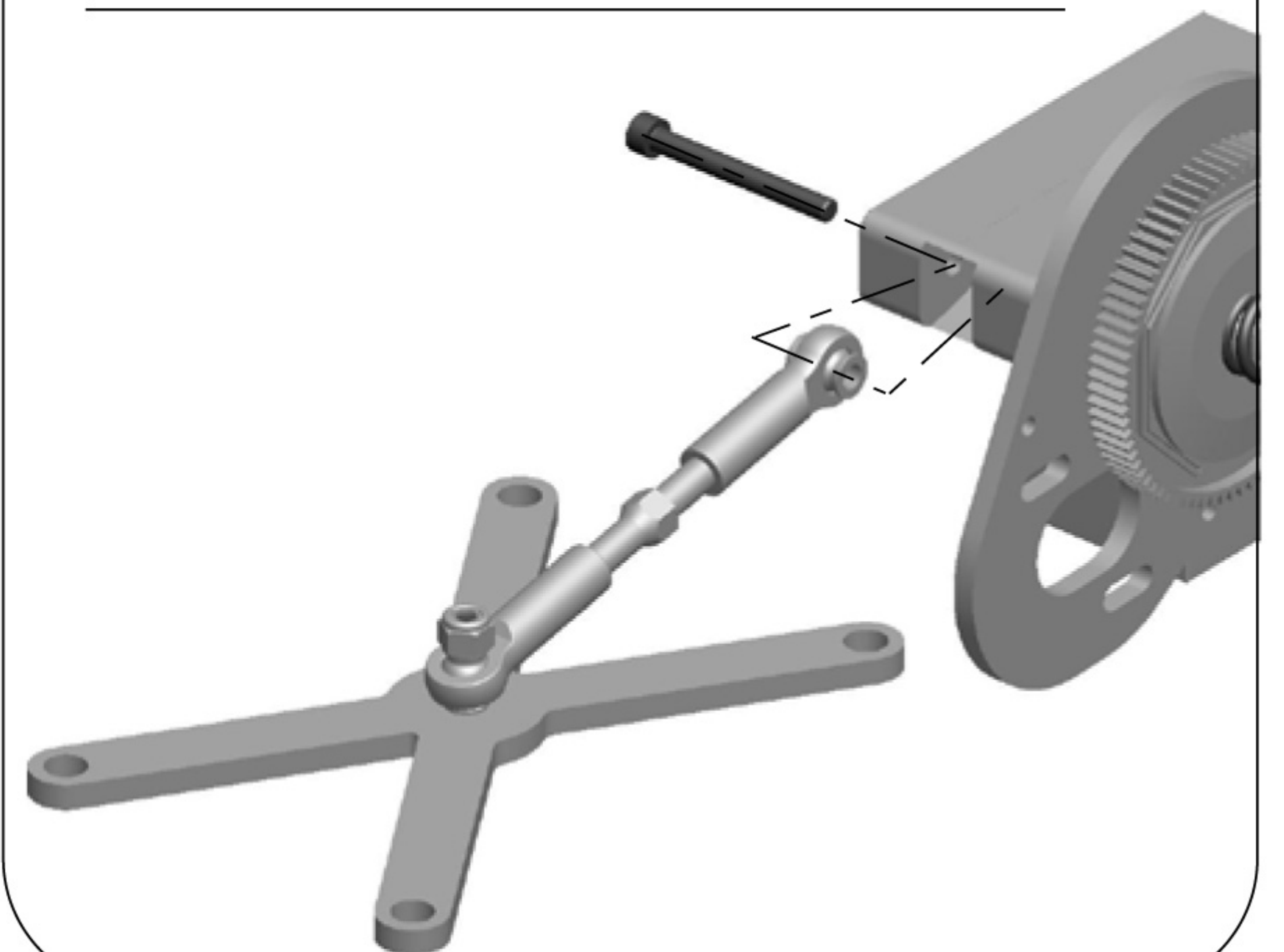
**12**

◀1:1▶

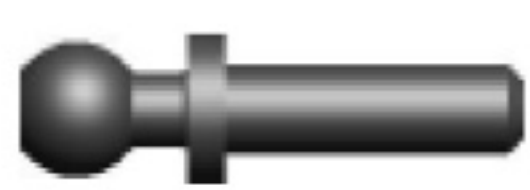


x1

AS6928
4-40 x 1 S.H Screw

**13**

◀1:1▶



x2

AS6278
Ballstud 4-40 x 0.40"

◀1:1▶



x2

FAST142-4
M3 2.0mm Washer

◀1:1▶



x2

AS4449
4-40 Mini Locknut

◀1:1▶



x2

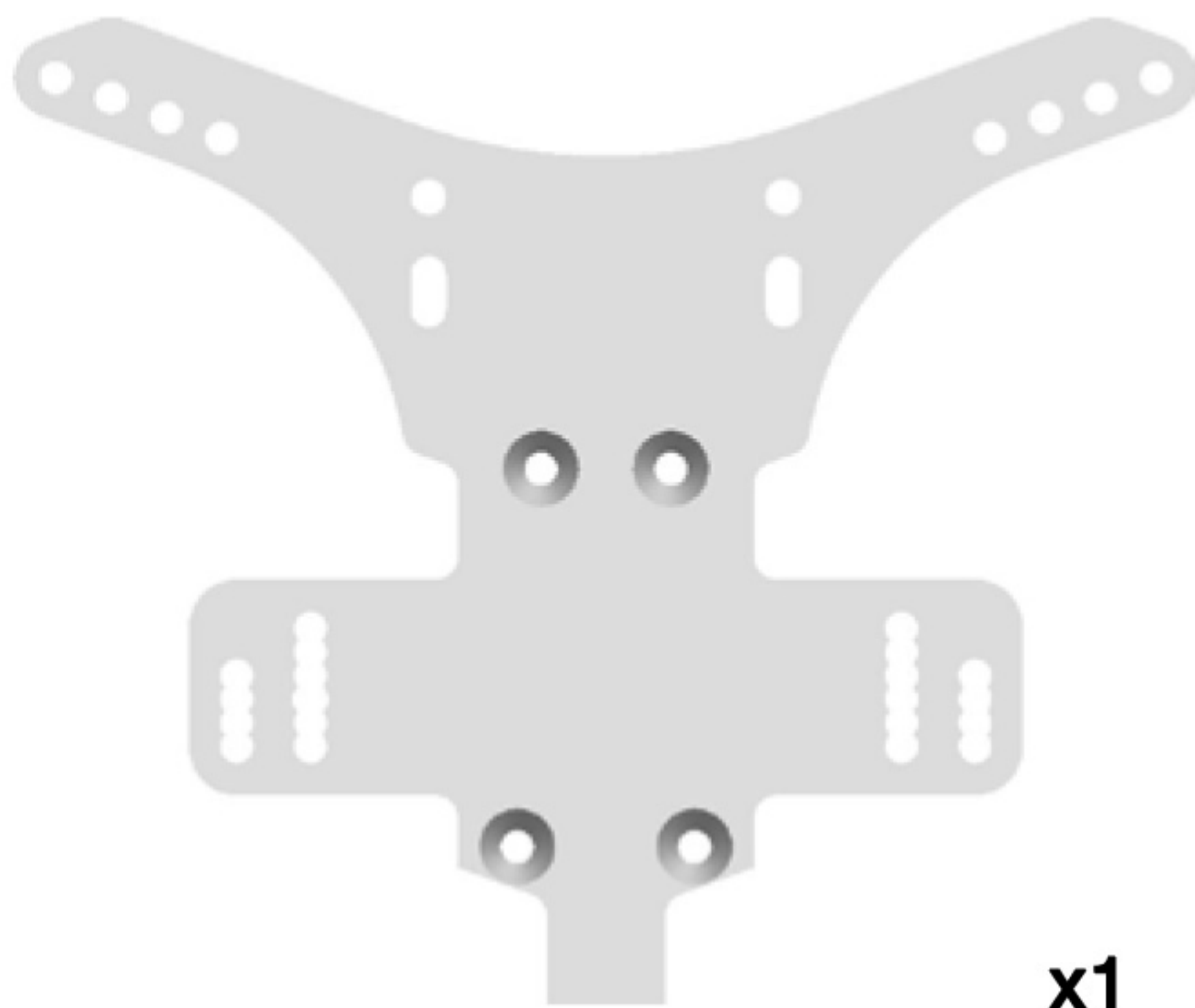
AS7413
4-40 x 3/4 BHCS Screw

◀1:1▶



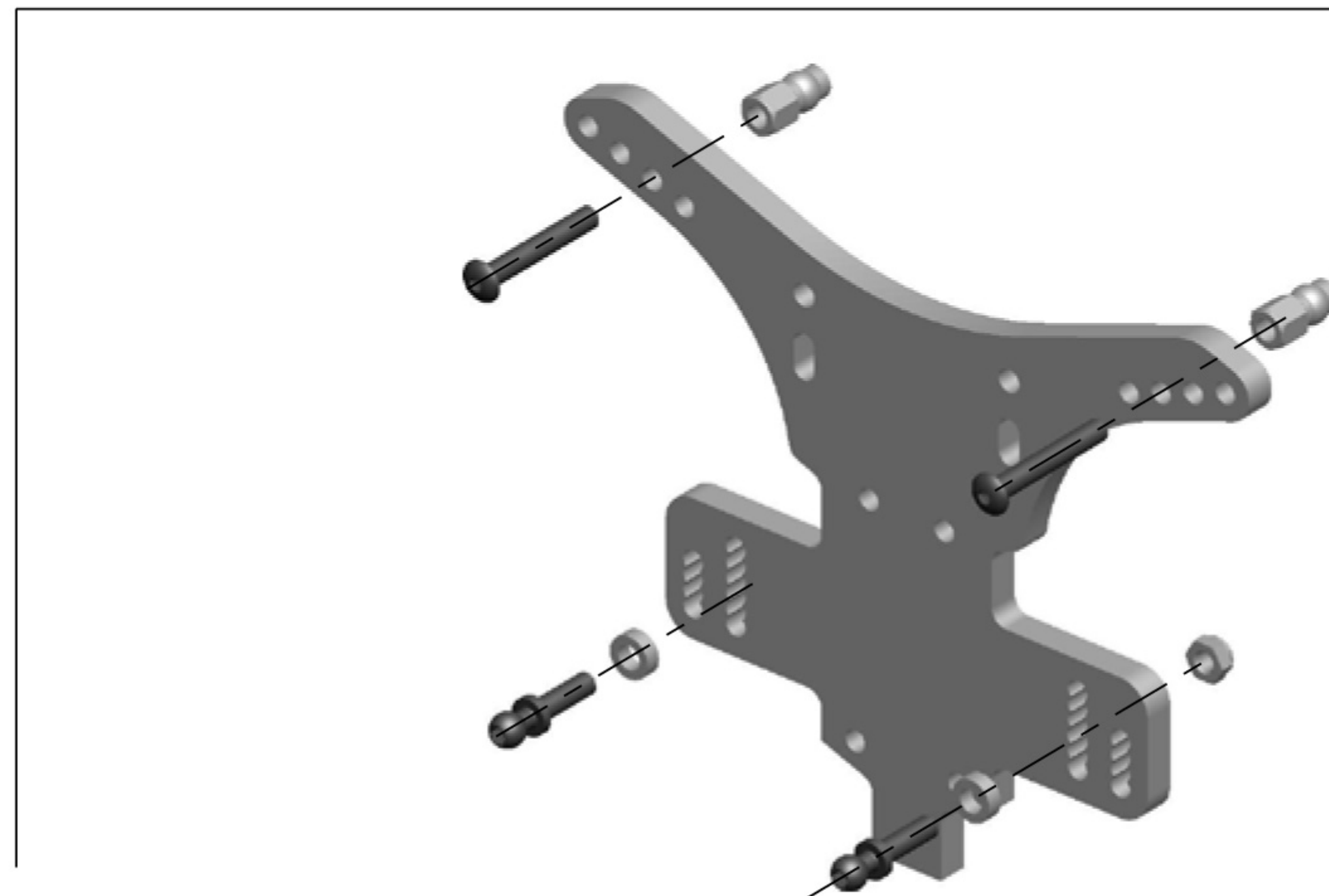
x2

AS7413
Shock Bushing



x1

C0014
Rear Carbon Fiber
Shock Tower

**14**

◀1:1▶



x2

C0015
M3 x 10 FHCS
Screw

◀1:1▶



x2

C0015
M3 x 8 FHCS
Screw

◀1:1▶



x2

FAST142-4
M3 2.0mm Washer



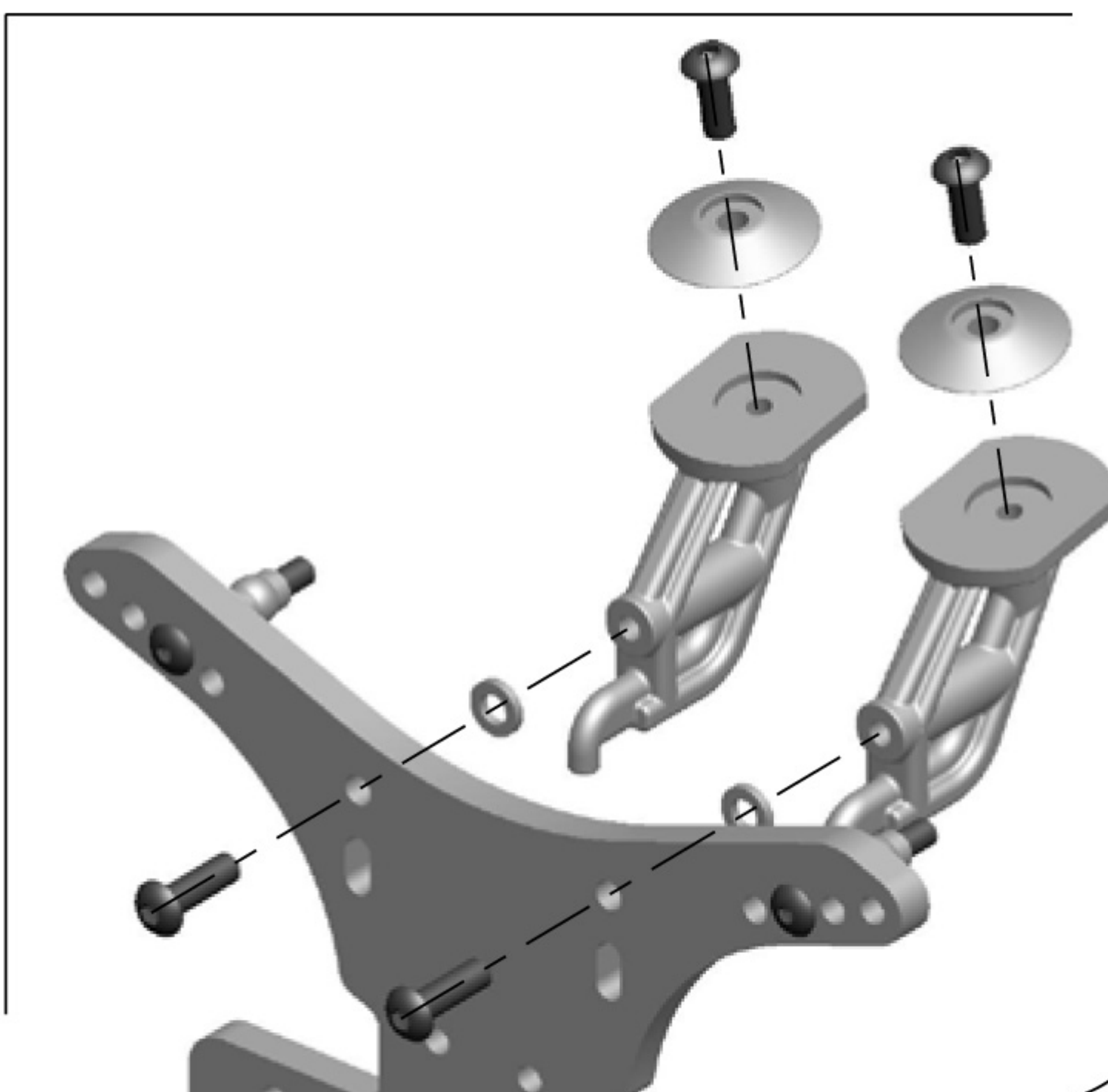
x2

C0015
Wing Washer



x2

C0015
Wing Mount

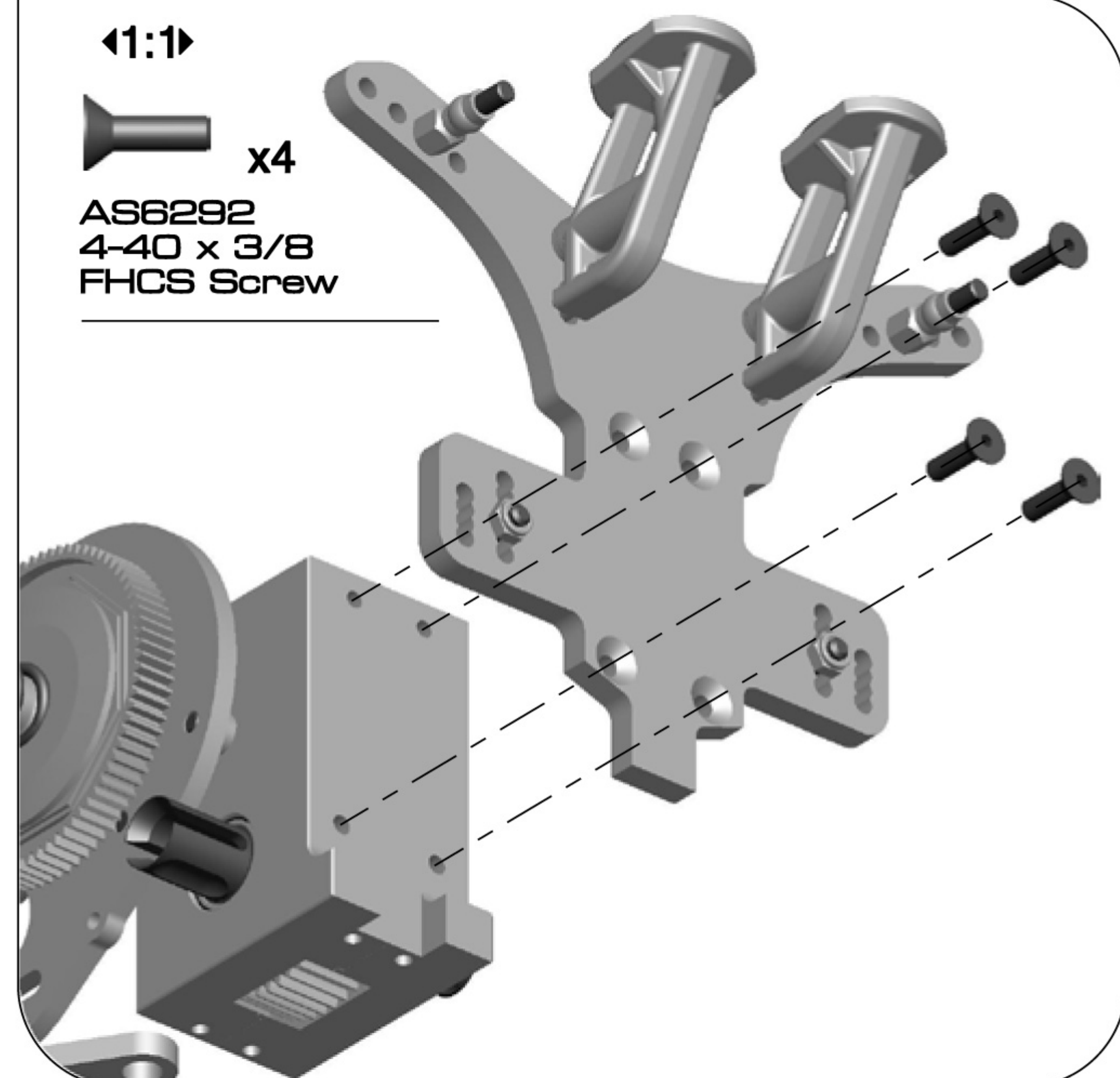
**15**

◀1:1▶

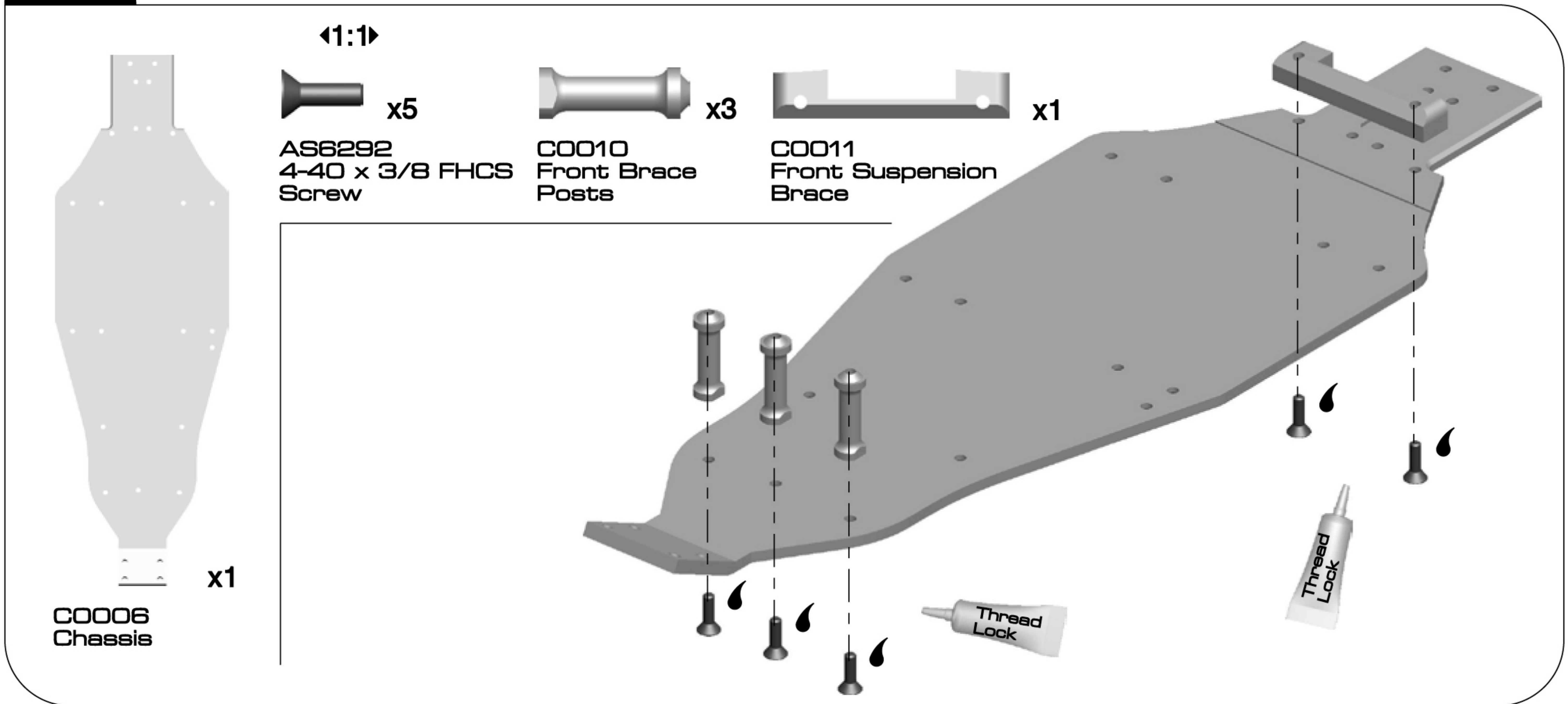


x4

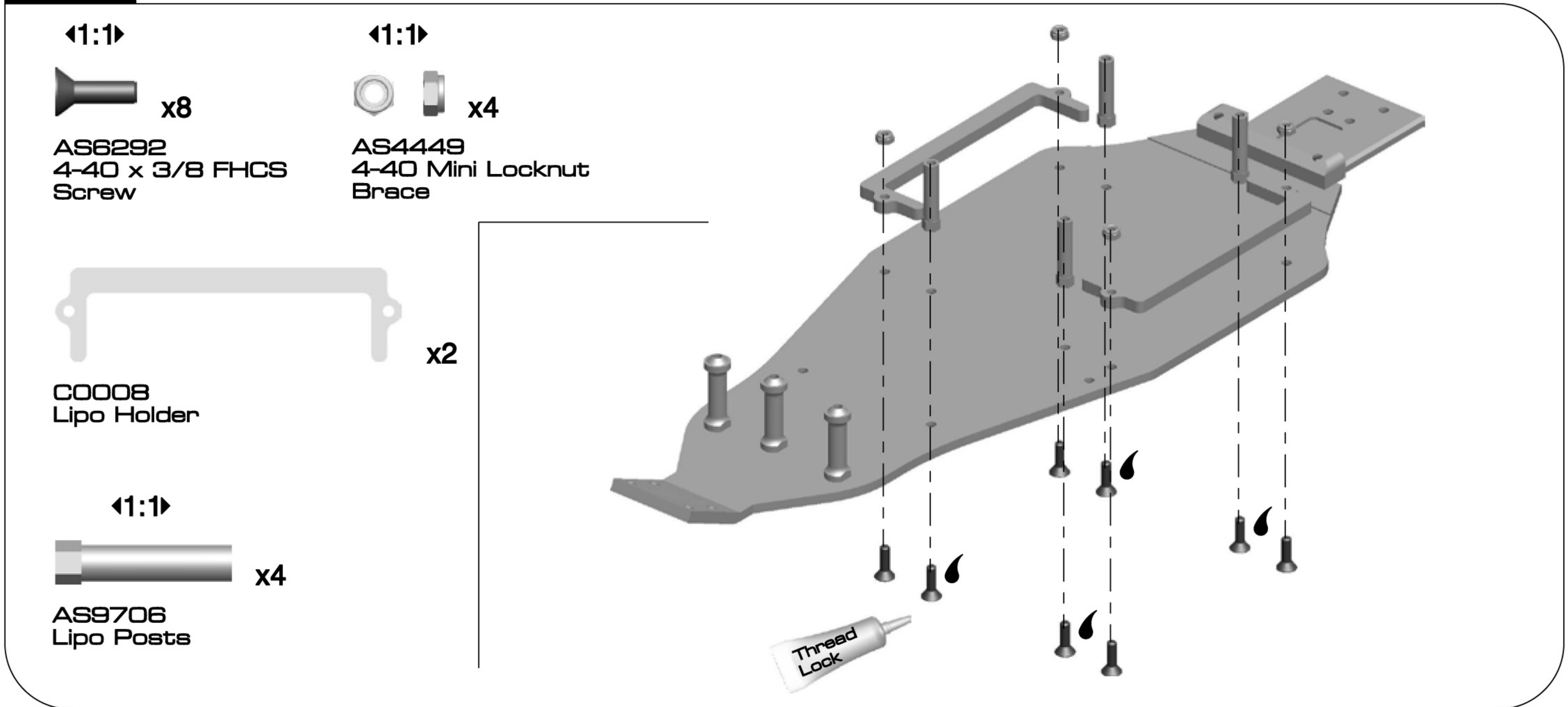
AS6292
4-40 x 3/8
FHCS Screw



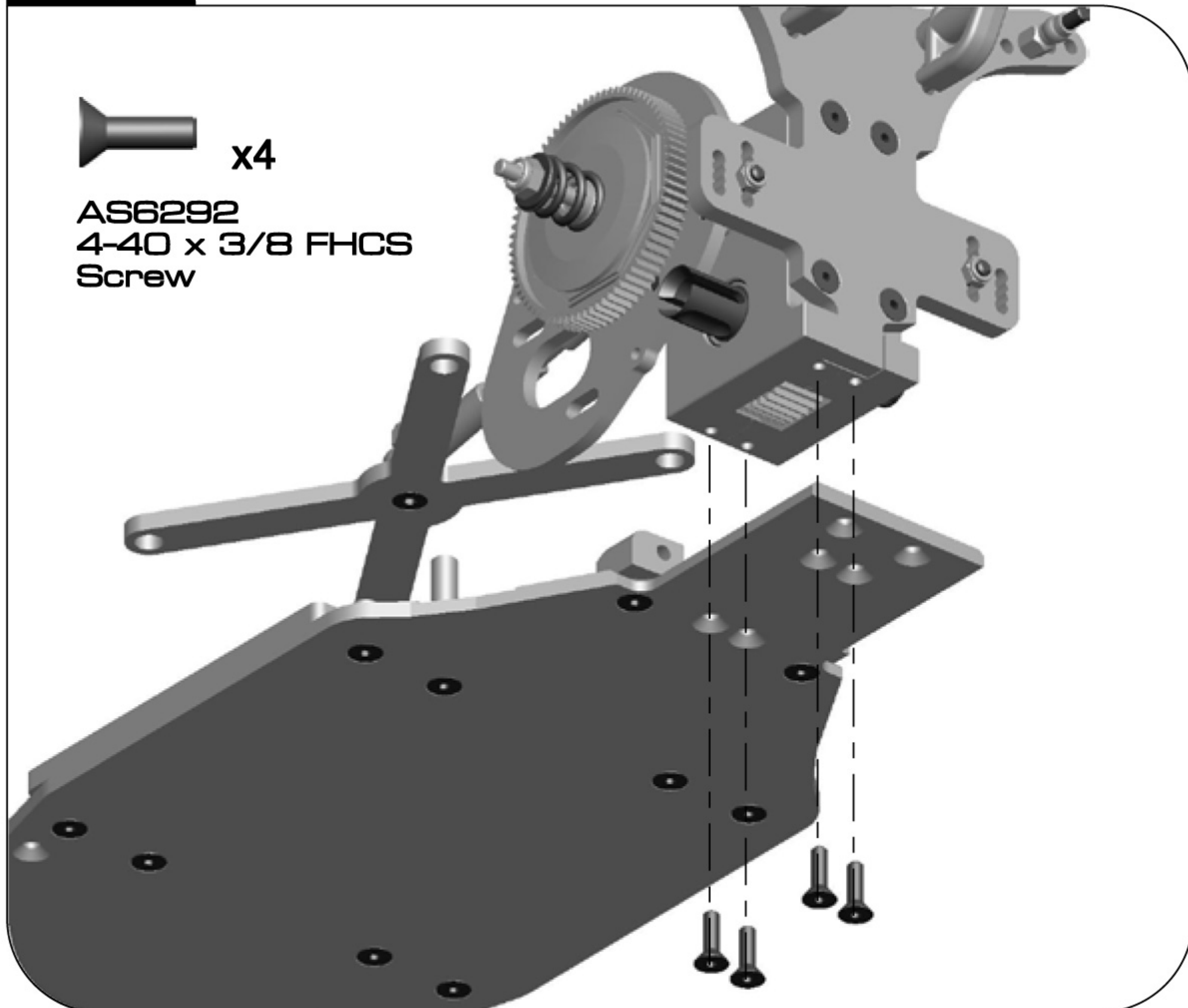
16



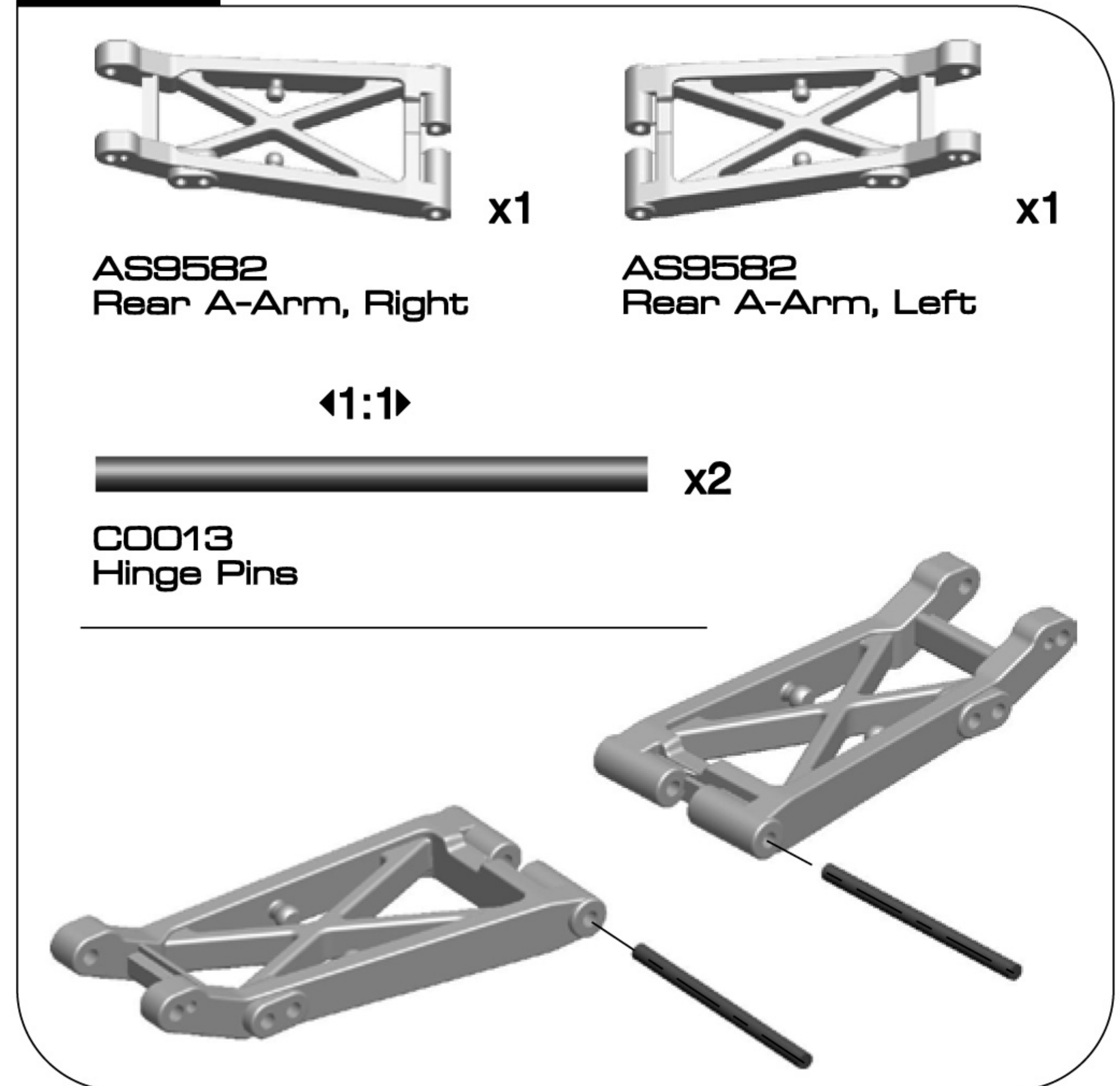
17



18



19



20



x1

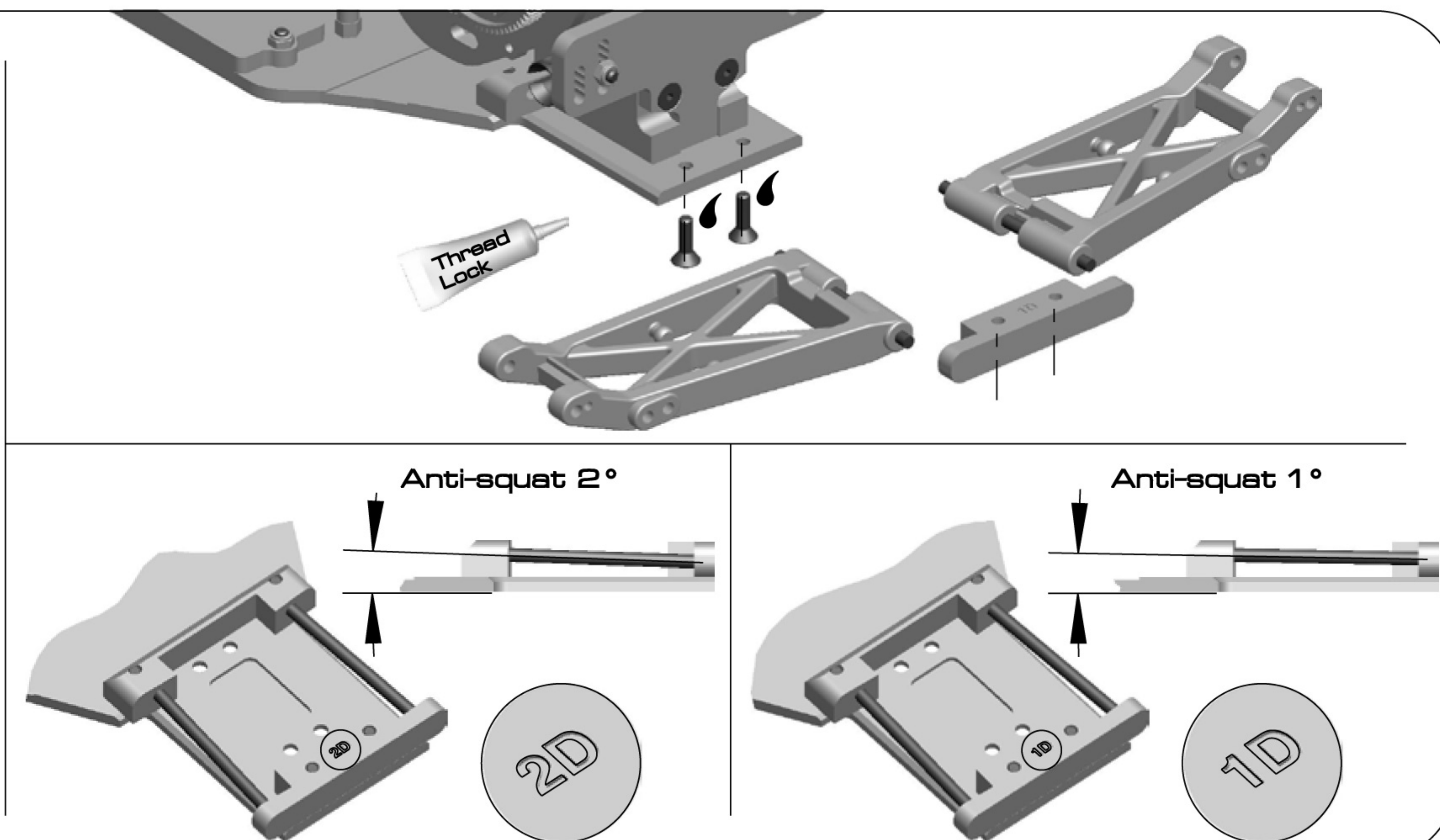
C0012
Rear Suspension
Brace

◀1:1▶



x2

AS6292
4-40 x 3/8 FHCS
Screw



21

◀1:1▶



x4

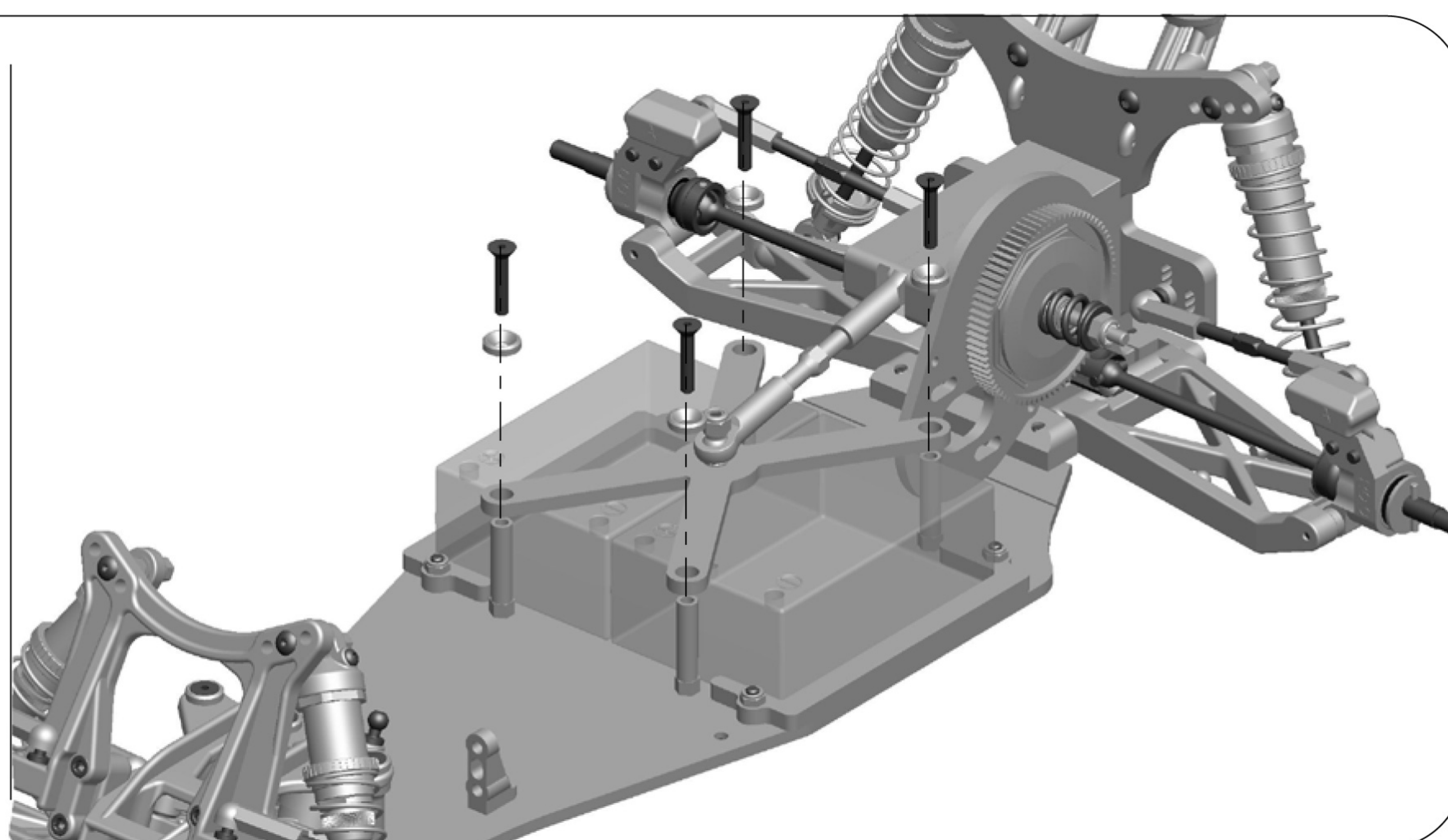
AS6915
4-40 x 5/8 FHCS
Screw

◀1:1▶



x4

FAST140
M3 Countersunk
Washer, Blue



CENTRO C4.1

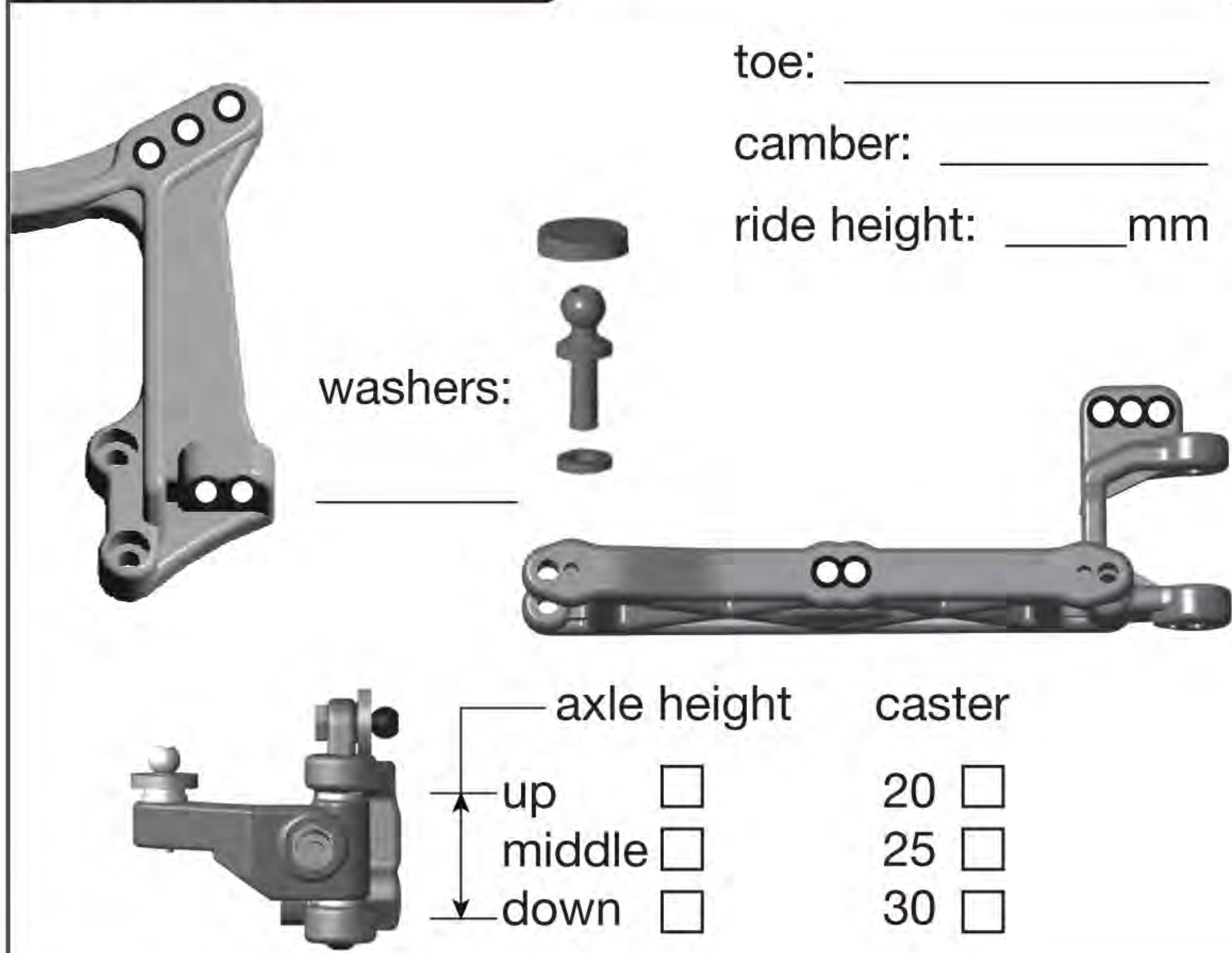
DRIVER: _____

TRACK: _____

SURFACE: _____

DATE: _____

Front End

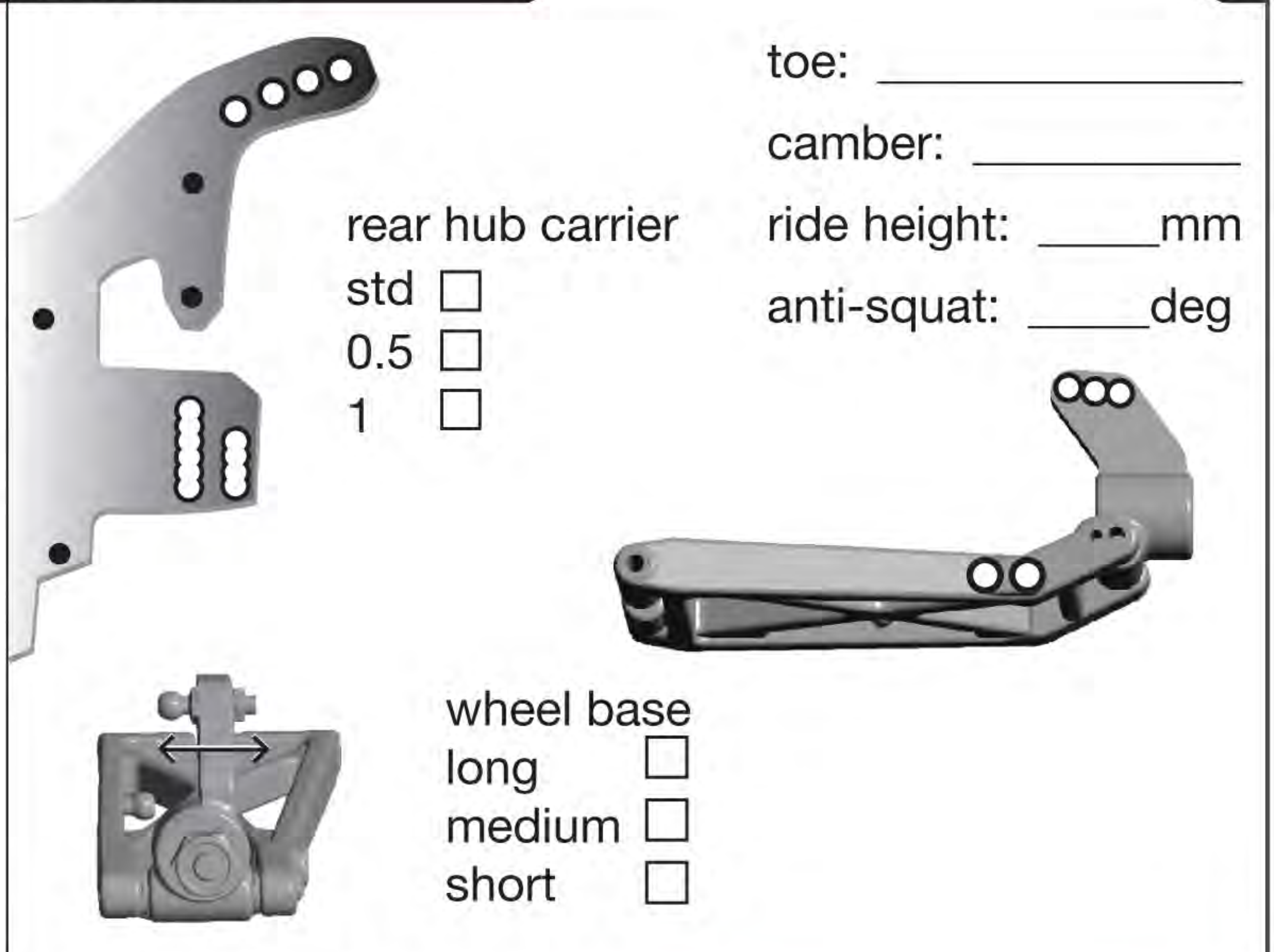


toe: _____
 camber: _____
 ride height: _____ mm

washers: _____

axle height caster
 up 20
 middle 25
 down 30

Rear End



toe: _____
 camber: _____
 ride height: _____ mm
 anti-squat: _____ deg

rear hub carrier
 std
 0.5
 1

wheel base
 long
 medium
 short

Front Shocks

spring _____ piston _____
 shock oil _____ limiter _____

Rear Shocks

spring _____ piston _____
 shock oil _____ limiter _____

Front Tires

tire: _____ compound: _____
 insert: _____ wheel: _____

Rear Tires

tire: _____ compound: _____
 insert: _____ wheel: _____

Electronics

motor & wind: _____
 pinion: _____ spur gear: _____
 batteries: _____ placement: _____
 radio: _____ servo/ expo: _____ / _____

throttle/ brake epa: _____ / _____
 throttle/ brake expo: _____ / _____
 esc: _____ throttle profile: _____
 initial brake _____ drag brake: _____

Body/Wing

body/ wing: _____
 notes: _____

Differential

gear differential/ oil: _____ / _____
 ball differential/ setting: _____ / _____

Race/ Car/ Notes

qualify: _____ main: _____ finish: _____

Weight distribution

bulkhead option weights

std ackerman lipo holders
 brass under bellcrank rear arm mount
 alloy

bulkhead weights
 5g
 10g
 15g

